



MAY 1-10, 2026 FORT SILL, OKLAHOMA

**FORGED BY FIRE
THE BEST OF THE BEST**

Future-proofed systems that are
proven, ready and built to last

Transforming a Lethal Fires Force

baesystems.com/ps



BAE SYSTEMS

FORGED BY FIRE

A Message from the Chief of the FA

Fellow Redlegs,

It is with great pride and excitement that I welcome you to the 2026 General Raymond T. Odierno Best Redleg Competition. This prestigious event is a celebration of the skill, dedication, and excellence that define the Field Artillery branch. It is an opportunity to showcase the very best of what we do and who we are as Redlegs.

This year's competition will bring together the top sections from across the Army, representing our M119s, M777s, Paladins, Fire Support Teams, and Fire Direction Centers. These teams will be tested on their core artillery skills, basic Soldier tasks, and their ability to perform under pressure. The competition is designed to push them to their limits, testing not only their technical and tactical proficiency but also their grit, resolve, and teamwork.

The General Odierno Best Redleg Competition is more than just a test of skills; it is a testament to the professionalism and excellence of the Field Artillery branch. Each team that steps up to compete is representing not only their unit but also the proud legacy of the King of Battle. They are carrying forward a tradition of service and sacrifice that spans generations, and they are demonstrating what it means to be a Redleg.

To the competitors, I commend you for stepping into the arena. By participating in this competition, you are setting the standard for excellence in our branch. You are showing your peers, your leaders, and your Soldiers what it means to be a professional in the Field Artillery. You are proving that you have the skills, the determination, and the resilience to excel in the most demanding environments.

This competition is not just about winning, it's about growth. It's about pushing yourself and your team to be better, to learn from the challenges you face, and to come out stronger on the other side. It's about building the trust and cohesion that are the foundation of every successful artillery section. And it's about honoring the legacy of General Odierno, a leader who exemplified the values of service, excellence, and commitment to the mission.

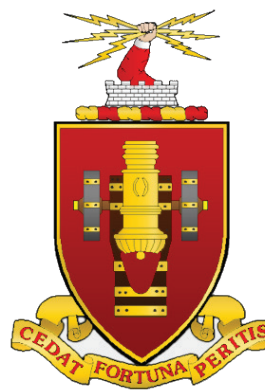
Thanks to the units and leaders who have supported their teams in preparing for this competition. Your investment in your Soldiers' development is what makes events like this possible. By encouraging your teams to compete, you are fostering a culture of excellence and ensuring that the Field Artillery remains the premier branch of the United States Army. I'd also like to thank the United States Field Artillery Association and the sponsors – we sincerely appreciate your support.

As we gather at Fort Sill for this competition, let us remember what it means to be a Redleg. Let us remember that our mission is to provide fires 24/7, in all weather, and under any circumstances. Let us remember that we are the only force that can deliver the precision, lethality, and support that our maneuver brothers and sisters depend on. And let us remember that we are part of a proud tradition that has shaped the battlefield and enabled victory for generations.

I look forward to seeing the incredible performances of our teams and to celebrating the excellence of the Field Artillery branch. Thank you for your dedication, your service, and your commitment to the mission.

King of Battle. This We'll Defend.

Jason T. Williams
Brigadier General
Chief of the Field Artillery



COMING IN 2027 - BEST REDLEG 13R, 13M & 13J

THE BEST OF THE BEST

About the Competition



The GEN Raymond T. Odierno Best Redleg Competition is an integral part of the Field Artillery Branch's pursuit of excellence and continuous effort to enhance the overall combat effectiveness of the Field Artillery warfighter to provide timely and accurate fires. This event, at the ancestral home of the Field Artillery, will have Redlegs focusing on the fundamentals, promoting esprit de corps, and the exchange of best practices through healthy competition and rivalry. This event is all about identifying the best of the best.

Each year FA units from across the military send their "top guns" and best teams in each MOS to the Best Redleg Competition. The competition, organized and executed by the US Army Field Artillery School and the 428th FA BDE, is broken down by MOS and type of Equipment. Named after the 38th Chief of Staff of the Army and an incredibly proud Redleg, GEN Odierno, who loved team competitions. USFAA is proud to support this event, which showcases the very best traditions of our beloved branch and upholds the standard of excellence that the late GEN Odierno exemplified and inspired in all of us.

BEST REDLEG
Celebration and Awards Ceremony



FRIDAY MAY 8TH, 2026
FORT SILL PATRIOT CLUB

5:00PM PATRIOT CLUB JACK DANIELS LOUNGE OPEN
6:00PM BBQ DINNER IN THE PATRIOT CLUB BEER GARDEN
7:00PM BEST REDLEG AWARDS CEREMONY

DRESS CODE: PICNIC CASUAL
TICKETS: \$20.00 PP
INCLUDES BBQ BUFFET DINNER & A DRINK TICKET
CASH BAR AVAILABLE
LIMITED TICKETS AVAILABLE
EMAIL SALES@FIELDARTILLERY.ORG
OR CALL APRIL MARSH 580-355-4677 X 2



**NORTHROP
GRUMMAN**

FOR MISSIONS THAT MATTER MOST

Learn More » ngc.com/electronic-fuzing

The appearance of U.S. Department of War (DoW) visual information does not imply or constitute DoW endorsement.



FORGED BY FIRE

Schedule of Events

FRIDAY MAY 1

Arrival and Check In
 Team Photos
 Dinner provided by USFAA
 Welcome Briefs

SATURDAY MAY 2

Breakfast
 MOS Specific Briefs with Master Gunners
 Lunch at Snow Hall provided by This We'll Defend Chapter & USFAA
 Equipment Assignments, Pre-Combat Checks (PCC), Pre-Combat Inspections (PCI) and Communications Exercise
 Dinner

SUNDAY MAY 3

Breakfast Provided by Hilton, USO Oklahoma & USFAA
 Weapons Draw and Rifle Range Qualifier
 Lunch at the Barracks provided by USFAA
 Operation Order Briefing
 Final Equipment Preparation
 Dinner provided by Hunt Bros Pizza

MONDAY MAY 4

Army Fitness Test (AFT)
 Breakfast Provided by USFAA
 Opening Ceremony
 Meet the Competitors Lunch hosted by USFAA
 Written Tests
 Day/Night Land Navigation Competition

COMPETITION PREP DAYS

COMPETITION KICK OFF

Leonardo Electronics US is proud to sponsor the Field Artillery Best Redleg Competition.

We offer cutting-edge technology for long-range precision artillery ammunition, precision targeting, and integrated fire control to deliver timely and accurate fires on today's battlefield.

We congratulate our Soldiers competing for the Odierno Cup!



FORGED BY FIRE

Schedule of Events

TUESDAY MAY 5

Day 1 in the Field
R3SP - Final equipment checks, final comms checks, teams are issued ammunition, fuel, and rations.

MOS-Based Competition Begins. Artillery Skills Proficiency Test (ASPT/AT 1-6) for Cannoneers (13B), Fire Support (13F) and Fire Direction (13J)

Snack and Beverage Supplements provided by USFAA

WEDNESDAY MAY 6

Day 2 in the Field
MOS-Based Competition Events

These tasks will be tested under modified conditions such as degraded and digital degraded, direct fire and more.

Reverse R3P
Teams will return unused ammunitions and rations

Snack and Beverage Supplements provided by USFAA

THURSDAY MAY 7

Day 3 in the Field
Basic Soldier Skills Competition Events.
Expert Soldier Badge (ESB) Test Qualifications on Medical, Weapons, Ranges, Foot Marches, and Expert Physical Fitness Assessment (EPFA)

ESB Weapon: Demonstrate proficiency on M4, M249, M240B, M2/Mk19, M17 (Pistols), M320, M18A1 (Claymoremines) and M67 (Grenades).

Snack and Beverage Supplements provided by USFAA

FRIDAY MAY 8

12 Mile Ruck March

Brunch provided by USFAA

Rest and Recover

Awards Ceremony and BBQ Feast at the Patriot Club
Hosted by USFAA

COMPETITION

REST &
RECOVER



HernStyle Designs

HONOR. STYLE. HERITAGE.

SHOP NOW AT HernStyleDesigns.com

FIELD READY HYDRATION

LASER-ENGRAVED FOR YOUR UNIT


- IN-HOUSE LASER ENGRAVED
- LOW MINIMUM OF 24 UNITS
- NO SET UP FEES





Custom stainless steel hydration for commands, teams, and competitions. Available in multiple sizes and finishes.

FIFTY/FIFTY®

STAINLESS STEEL VACUUM INSULATED PRODUCTS

 www.fiftyfiftybottles.com

 orders@fiftyfiftybottles.com

 1-800-849-5185



FIRE DIRECTION

Fire Direction Teams will clash in a grueling two-day event designed to evaluate the critical skills required to operate and lead a Fire Direction Center in today's operational environment. This competition tests precision, speed, and decision-making under pressure, where teams must process fire missions, communicate effectively, and deliver accurate fires in time constrained scenarios. Across eight events conducted in multiple training areas, competitors will execute both digital and degraded fire mission processing, emplacement and displacement operations, predictive calculations, and communication tasks. Each event is conducted under strict time limits, forcing teams to operate efficiently with no margin for error. The second day builds on these fundamentals by introducing more complex and adaptive scenarios, including emergency fire missions, calibration, and registration, requiring teams to adjust quickly to changing conditions. Throughout the competition, live fire conditions and realistic scenarios ensure that performance reflects real world demands, reinforcing readiness and identifying the most proficient Fire Direction teams.

THE BEST OF THE BEST

Fire Direction



1ST ARMORED DIV
FORT BLISS, TEXAS



4TH INFANTRY DIV
FORT CARSON, COLORADO



82ND AIRBORNE DIV
FORT BRAGG,
NORTH CAROLINA



1ST INFANTRY DIV
FORT RILEY, KANSAS



10TH MOUNTAIN DIV
FORT DRUM, NEW YORK



101ST AIR ASSAULT DIV
FORT CAMPBELL,
KENTUCKY



1ST CAVALRY DIV
FORT HOOD, TEXAS



11TH ARCTIC AIRBORNE DIV
JBER, ALASKA
FORT RICHARDSON,
ALASKA



2ND CAVALRY REG
ROSE BARRACKS, VILSEK
GERMANY



3RD INFANTRY DIV
FORT STEWART, GEORGIA



25TH INFANTRY DIV
SCHOFIELD BARRACKS,
HAWAII



3RD CAVALRY REG
FORT HOOD, TEXAS



LEARN TO LEAD

The appearance of U.S. Department of Defense (DoD) visual information does not imply or constitute DoD endorsement.

FORGED BY FIRE

Fire Support



1ST ARMORED DIV
FORT BLISS, TEXAS



4TH INFANTRY DIV
FORT CARSON,
COLORADO



101ST AIR ASSAULT DIV
FORT CAMPBELL,
KENTUCKY



1ST INFANTRY DIV
FORT RILEY, KANSAS



10TH MOUNTAIN DIV
FORT DRUM, NEW YORK



2ND CAVALRY REG
ROSE BARRACKS, VILSEK
GERMANY



1ST CAVALRY DIV
FORT HOOD, TEXAS



11TH ARCTIC AIRBORNE DIV
JBER, ALASKA
FORT RICHARDSON,
ALASKA



3RD CAVALRY REG
FORT HOOD, TEXAS



3RD INFANTRY DIV
FORT STEWART, GEORGIA



25TH INFANTRY DIV
SCHOFIELD BARRACKS,
HAWAII



75TH RANGER REG
FORT BENNING,
GEORGIA



82ND AIRBORNE DIV
FORT BRAGG,
NORTH CAROLINA



FIRE SUPPORT

Fire Support Teams will conduct a total of 10 events divided between 2 days. 7 of the events will take place in the field and 3 will be virtual simulations. Teams will receive a BN OPORD brief, have minimal time to plan, and brief their Company Fire Support Plan. Teams then conduct dismounted land navigation to engage a target with Army Attack Aviation as

well as call indirect fires. Competitors will then move to an observation post where they will be evaluated on their ability to conduct a JFO target brief and Terminal Guidance Operations. Teams will then conduct dismounted land navigation to another observation post where they will be evaluated on core fire support competencies. Teams will be evaluated on movement throughout the day, and each event will be conducted with minimal time. The other 5 events will take place on the alternate day with 3 of the events taking place in Monti Hall where teams will rotate between a FiST Ops, CFF, and JFO stations. The remaining 2 events for this day will take place in the field with competitors completing a ROC-V exam at the TAA and teams moving to OP Andrews to conduct a timed FSPT event.

SIGMA

MADE WITH AMERICAN GRIT | CHARLESTON, SC



LETHALITY AT THE READY

ANY DISTANCE | ANY ENVIRONMENT | ANY MISSION

High Mobility. Superior Firepower. Ready Now. Our fully automated digital SIGMA - Towed Howitzer Replacement is made with American grit in our South Carolina facility. Manufacturing in the U.S. reduces global supply chain uncertainty and risk, and improves U.S. Army operational readiness.

8 ROUND PER MINUTE RATE OF FIRE

40 PROJECTILE MAGAZINE

TRUE 360 FIRING WITHOUT MOVING

MRSI CAPABLE

RAPID EMPLACEMENT AND DISPLACEMENT

C-17 TRANSPORTABLE

GROUNDCOMBAT@ELBITAMERICA.COM

ELBITAMERICA.COM

©2025 Elbit Systems of America, LLC. All rights reserved.



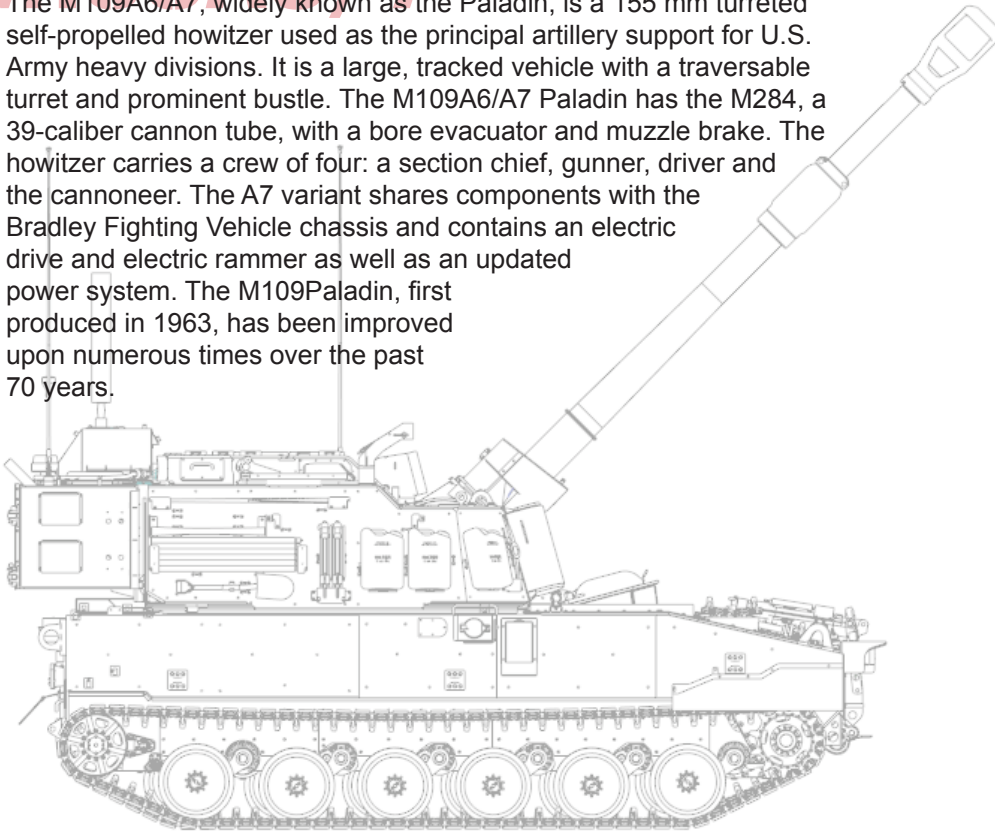
ELBIT AMERICA

FORGED BY FIRE

The Guns

M109A6/7

The M109A6/A7, widely known as the Paladin, is a 155 mm turreted self-propelled howitzer used as the principal artillery support for U.S. Army heavy divisions. It is a large, tracked vehicle with a traversable turret and prominent bustle. The M109A6/A7 Paladin has the M284, a 39-caliber cannon tube, with a bore evacuator and muzzle brake. The howitzer carries a crew of four: a section chief, gunner, driver and the cannoneer. The A7 variant shares components with the Bradley Fighting Vehicle chassis and contains an electric drive and electric rammer as well as an updated power system. The M109Paladin, first produced in 1963, has been improved upon numerous times over the past 70 years.



1ST ARMORED DIV
FORT BLISS, TEXAS



1ST INFANTRY DIV
FORT RILEY, KANSAS



1ST CAVALRY DIV
FORT HOOD, TEXAS



3RD INFANTRY DIV
FORT STEWART, GEORGIA



M109A6/7

M777A2

M119A3

Howitzer Sections will compete in a comprehensive two-day event designed to thoroughly evaluate the full spectrum of skills required of modern Field Artillery Cannon crews. It provides a structured opportunity to test their proficiency in fire mission processing, tactical movement, and effective communication within a dynamic, live-fire setting. Competitors will face a series of planned scenarios designed to challenge their decision-making, ability to perform under austere conditions, and proficiency in delivering timely and accurate fires. The sections will process 10 to 15 rounds per test exercise. The sections will shoot 80 rounds total on the first day and 30 rounds the second day. Ultimately, this event serves as a valuable assessment tool, highlighting crew strengths and reinforcing their readiness for a wide range of operational demands.

THE BEST OF THE BEST

The Guns



4TH INFANTRY DIV
FORT CARSON, COLORADO



10TH MOUNTAIN DIV
FORT DRUM, NEW YORK



11TH ARCTIC AIRBORNE DIV
JBER, ALASKA
FORT RICHARDSON, ALASKA



82ND AIRBORNE DIV
FORT BRAGG,
NORTH CAROLINA



2ND CAVALRY REG
ROSE BARRACKS, VILSEK
GERMANY



3RD CAVALRY REG
FORT HOOD, TEXAS

M777A2

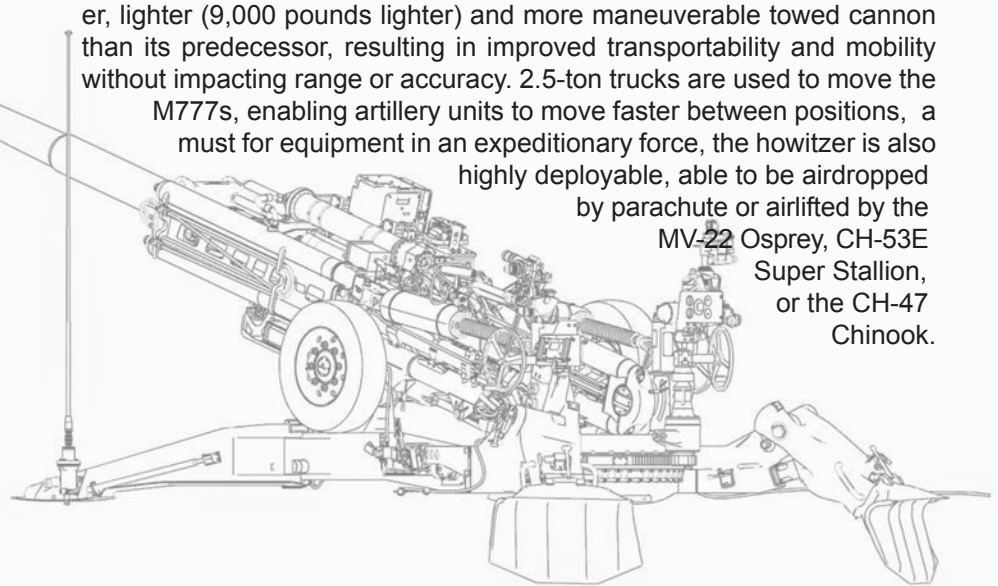
The M777 Lightweight 155mm howitzer provides timely, accurate and continuous firepower in support of Marine and Army infantry forces. In 2005, the Army and Marine Corps began fielding the M777, a much smaller, lighter (9,000 pounds lighter) and more maneuverable towed cannon than its predecessor, resulting in improved transportability and mobility without impacting range or accuracy. 2.5-ton trucks are used to move the

M777s, enabling artillery units to move faster between positions, a must for equipment in an expeditionary force, the howitzer is also

highly deployable, able to be airdropped by parachute or airlifted by the

MV-22 Osprey, CH-53E Super Stallion,

or the CH-47 Chinook.



25TH INFANTRY DIV
SCHOFIELD BARRACKS,
HAWAII



101ST AIR ASSAULT DIV
FORT CAMPBELL,
KENTUCKY



428TH FA BDE
FORT SILL, OKLAHOMA

M119A3

The M119 howitzer is a lightweight 105 mm howitzer, used by the U.S. Army. It is the American licensed version of the British L119 light gun. The M119 is typically towed by the M1097 or M1152 High Mobility Multi-Purpose Wheeled Vehicle (HMMWV), and can be easily airlifted by

helicopter, or airdropped by parachute. The howitzer was designed and produced by the British Royal Ordnance

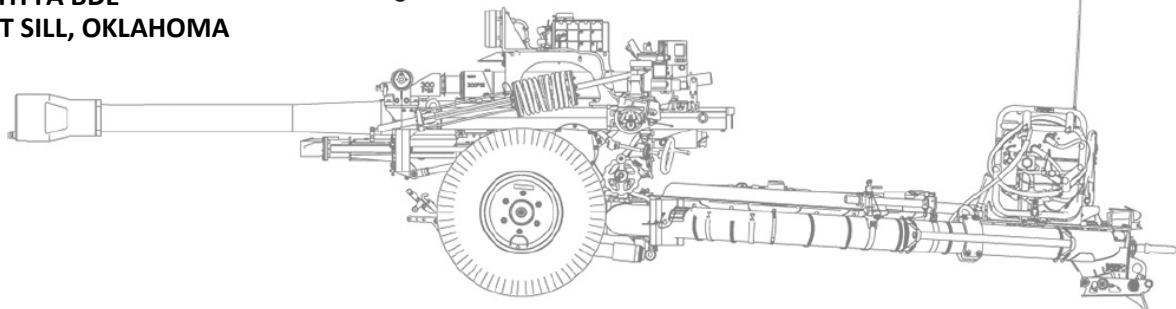
Factories as the L119 in 1976 and is used by parachute and commando field artillery regiments. In 1987 an

agreement was reached to produce the L119 under license by the US as the M119. The M119 is currently

fielded with all Regular Army and National Guard light infantry brigade combat teams, including those in the

10th Mountain, 25th Infantry, 82nd Airborne, and 101st Airborne divisions, and the 173rd Airborne

Brigade Combat Team.





Delivering On Commitments

Strategic Planning

- Sector & Budget Assessments
- Market Strategy / Go-to-Market
- Organic/Inorganic Growth
- Customer Engagement Strategy



Business Development

- Opportunity Identification
- Portfolio Shaping
- Pipeline Development
- Customized Messaging & Outreach



Capture Process

- Strategy
- Color Team Excellence
- Competitive Analysis
- Proposal Development



**66 Canal Center Plaza
Suite 600
Alexandria, VA 22314
703-549-5880**



Turning Complexity into Competitive Advantage

WHAT THEY SAY ABOUT US GUNNERS

By Major General Lee Baxter, U.S. Army Retired

Contemporary gunners are a different breed than the one I was raised with. Multiple deployments, often without direct relationships to our guns and missiles. But where we are not different, and never will be, is that we deliver overwhelming combat power, day or night, 24/7, good weather or bad (tough nut, Air Force buddies). We are timely, we are fast, we are accurate and we kill things...lots of things. Dead. We kill them very dead. Ever wonder what your predecessor gunners thought about us, about you? Read on.

1. Leave the Artillerymen alone, they are an obstinate lot! – *Napoleon Bonaparte*
2. Nothing is more destructive than the charge of artillery on a crowd. – *Napoleon Bonaparte*
3. The harder the fighting and the longer the war, the more the infantry, and in fact all the arms, lean on the gunners. – *Bernard Law Montgomery*
4. Do not forget your dogs of war, your big guns, which are the most-to-be respected arguments of the right of kings. – *Frederick II, Hold Roman Emperor*
5. Artillerymen have a love of their guns which is perhaps stronger than the feeling of any soldier for his weapon or any part of his equipment. – *Samuel Lyman Atwood Marshall*
6. A battery of field artillery is worth a thousand muskets. – *William Tecumseh Sherman*
7. Artillery is the God of war. – *Joseph Stalin*
8. In many situations that seemed desperate, the artillery has been the most vital factor. – *Douglas MacArthur*
9. The Guns, Thank God, The Guns. – *Runyard Kipling*
10. As it says in the Bible, God fights on the side of heaviest artillery. – *Robert A. Heinlein*
11. The best Generals are those who have served in the artillery. – *Napoleon Bonaparte*
12. The World War demonstrated the importance of Field Artillery. The majority of the casualties were inflicted by that arm. – *John J. Pershing*
13. Good infantry is without doubt the sinews of an army; but if it has to fight a long time against very superior artillery, it will become demoralized and will be destroyed. – *Napoleon Bonaparte*
14. Guns will make us powerful; butter will only make us fat. – *Herman Goering*
15. The idea of ariel military surveillance dates back to the Civil War, when both the Union and the Confederacy used hot-air balloons to spy on the other side, tracking troop movements and helping to direct artillery fire. – *Michael Hastings*
16. Artillery conquers and infantry occupies. – *J.F.C. Fuller*
17. The speed, accuracy and devastating power of American Artillery won confidence and admiration from the troops it supported and inspired fear and respect in their enemy. – *Dwight D. Eisenhower*
18. If you don't have enough artillery, quit. – *Unknown*
19. Great battles are won with artillery. – *Unknown*
20. It is with Artillery that wars are won. – *Napoleon Bonaparte*

Our past as gunners glitter like gold; we know because our lessons of the past tell us so. Oh, and your current leaders will be quoted in the years to come, and so will you. The effectiveness of the Field Artillery and the overall bad-assery of your Branch is one thing that just gets better with time.

About the Author:

MG (R) Baxter served as the CMR of 3rd ID DIVARTY, Ft Sill's Chief of Staff, Assistant Commandant at USAFAS, Director of Officer Personnel Management for the Army, then as the Commanding General at USA PERSCOM, and as the Commanding General of Fort Sill and the Commandant of the FA School. MG Baxter's retirement from active duty came in January 2000. After military retirement, Baxter served in leadership roles in the Lawton-Fort Sill community including Chairman of the Board of the Lawton Chamber of Commerce, State President for Oklahoma for AUSA, Board of Trustees for the Oklahoma Council for Public Affairs, and many years as the President and the current President Emeritus of the U.S. Field Artillery Association. MG (R) Baxter was honored with a musical tattoo hosted by the USFAA in 2010 and inducted into the U.S. Field Artillery Hall of Fame in 2022. He is and always has been a huge supporter and benefactor of the Field Artillery.

THANK YOU TO OUR PARTNERS AND SPONSORS!

SCARLET SPONSORS

BAE SYSTEMS



MG (R) Lee Baxter
ELBIT AMERICA

GOLD SPONSORS



GENERAL DYNAMICS
Ordnance and Tactical Systems



SILVER SPONSORS



MARK McDONALD
& ASSOCIATES



WE GOT SWAG



USFAASTORE
United States Field Artillery Association

758 McNair Ave Fort Sill or www.fieldartillery.org

FOLLOW THE ACTION ON SOCIAL MEDIA

LIVE UPDATES
SEE BEHIND THE SCENES
INTERVIEWS, VIDEOS and MORE!

