

STRUCTURAL BUILDING COMPONENTS™

THE FUTURE OF FRAMING

November 2010

www.sbcmag.info

BCMC Build Gives Boost to Industry

Plus...

Tower Units Make for Inventive Design

ONLINE BONUS:

SBCA Supplier & Professional Directory

Framing the
**AMERICAN
DREAM®**

PRRST STD
U.S. Postage
PAID
Madison, WI
Permit No. 2223

CHANGE SERVICE REQUESTED

SBC Magazine • 6300 Enterprise Lane • Suite 200 • Madison, WI 53719



TECHNOLOGY BUILT FOR TODAY'S COMPONENT MANUFACTURERS



Better Technology. Better Building.™

SOFTWARE — MiTek's latest release of our software suite offers you new productivity and collaboration tools to enhance the strength of your business.

SAPPHIRE™ Structure

- New 3-D section views for easy collaboration on the structure details
- New Engineered Wood Product options by utilizing product libraries and compatible design engines

SAPPHIRE™ Viewer

- New "markup" capability, giving builders, architects and engineers the ability to review and comment on details of a shared 3-D model

SAPPHIRE™ Portal

- Provides a web-based tool for file sharing, management, tracking and collaboration for home builders and component manufacturers

MBA™ Business Management Software

- Provides job quoting, scheduling, tracking and invoicing functionality for trusses, panels or both while integrating with layout, engineering and production management software

MVP™ Production Management Software

- View the metrics of all the production activities in your plant. Schedule and manage production processes, and receive production input from machine operators

EQUIPMENT — Equipment options that integrate your production process with the MiTek software suite. Maximize your productivity and lower your labor costs.

New MatchPoint PLANX™ ready tables

- Allows positioning PLANX automated jiggling at nearly every interval
- Jig position flexibility — place PLANX in a concentrated area of the table now or in the future

MatchPoint PLANX™ Retrofit

- Renew the productive capability of your existing table with PLANX retrofit
- Adds automated jiggling at a more affordable price point

Virtek TrussLine™

- Virtek TrussLine laser projection systems, when coupled with PLANX, increase production by 25% and reduce setup times by 75%
- Displays the orientation of plates and wood members to speed production lay-up, eliminating errors.

Now, more than ever — your success is our success.™

For reader service, go to www.sbcmag.info/mitek.htm



Our Valued Supporters...

These companies provide significant sponsorship of the structural building components industry.



Many thanks for their ongoing support!

For more information about our 2010 Program Advertisers or advertising in general, visit the SBC website at www.sbcmag.info or call 608/310-6706.

Gold Advertisers

BCMC* (p. 6)
 Clark Industries* (p. 11)
 Eagle Metal Products* (p. 19)
 Eide (p. 9)
 Intelligent Building Systems -
 ITW Building Components Group* (p. 21)
 ITW Building Components Group* (p. 24)
 Lakeside Trailer Manufacturing* (p. 14)
 Masengill Machinery Co. (p. 13)
 MiTek Industries, Inc.* (p. 2-3)
 Panels Plus* (p. 22)
 Qualtim, Inc.* (p. 11)
 SBCA* (p. 18, 23)
 Simpson Strong-Tie Co.* (p. 15)
 Southern Pine Council* (p. 18)
 Viking - Wall Panel Systems* (p. 13)
 Wood Truss Systems, Inc.* (p. 14)

Silver Advertisers

Finnforest USA* (p. 21)
 Pennsylvania Lumbermens
 Mutual Insurance Co.

Bronze Advertisers

Stiles Machinery, Inc. (p. 19)
 Wasserman & Associates, Inc.

*Indicates Charter Advertiser Status Listing based on contracts received as of 10/14/10.

contents

Page 12

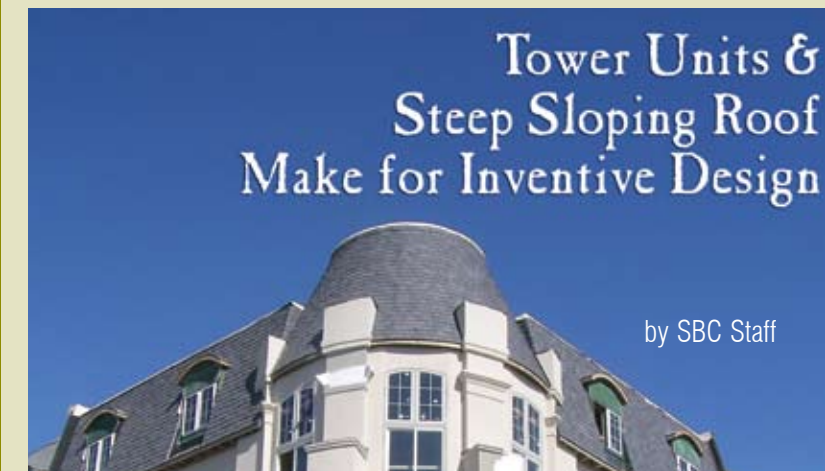


First Annual BCMC Build Gives Industry a Feel-Good Boost

by Libby Maurer

See page 9 for a complete list of BCMC Build Sponsors.

Page 16



Tower Units & Steep Sloping Roof Make for Inventive Design

by SBC Staff

Editor's Message	7
Technical Q&A	10
Parting Shots	22

Publisher

Truss Publications, Inc.
 6300 Enterprise Lane • Suite 200
 Madison, WI 53719
 Phone: 608-310-6706 • Fax: 608-271-7006
trusspubs@sbcmag.info • www.sbcmag.info

Editor

Joseph D. Hikel
 Shelter Systems Limited • jhikel@sbcmag.info

Art Director

Melinda Caldwell
 608-310-6729 • mcaldwell@sbcmag.info

Managing Editor & Circulation Director

Libby Maurer
 608-310-6724 • lmaurer@sbcmag.info

Editorial Review

Kirk Grundahl
 608-274-2345 • kgrundahl@sbcmag.info

Suzi Grundahl

608-310-6710 • sgrundahl@sbcmag.info

Advertising Sales & Marketing

Peggy Pichette
 608-310-6723 • ppichette@sbcmag.info

Emmy Thorson-Hanson

608-310-6702 • ethorson-hanson@sbcmag.info

Staff Writers for November

Jim Vogt, P.E.

Accountant

Mike Younglove
 608-310-6714 • myounglove@sbcmag.info

Computer Systems Administrator

Jay Edgar
 608-310-6712 • jedgar@sbcmag.info

Send all ad materials, insertion orders, contracts & payments to:

Truss Publications, Inc.
 6300 Enterprise Lane • Suite 200
 Madison, WI 53719
 Phone: 608-310-6706 • Fax: 608-271-7006
trusspubs@sbcmag.info • www.sbcmag.info

The mission of Structural Building Components Magazine (SBC) is to increase the knowledge of and to promote the common interests of those engaged in manufacturing and distributing structural building components. Further, SBC strives to ensure growth, continuity and increased professionalism in our industry, and to be the information conduit by staying abreast of leading-edge issues. SBC's editorial focus is geared toward the entire structural building component industry, which includes the membership of the Structural Building Components Association (SBCA). The opinions expressed in SBC are those of the authors and those quoted, and are not necessarily the opinions of Truss Publications or SBCA.

Copyright ©2010 by Truss Publications, Inc. All rights reserved.



THANK YOU EXHIBITORS FOR YOUR CONTINUED SUPPORT!



AbitibiBowater
 Aegis Metal Framing
 Alpine Engineered Products - ITW Building Components Group
 Alpine Equipment - ITW Building Components Group
 Alpine Systems Corporation - ITW Building Components Group
 AmeriCAD - VisionRez - ITW Building Components Group
 Automatic Stamping, LLC
 BCMC Build
 Beadles Lumber Company
 Blackpoint Builder Services
 Canadian Wood Products Montreal Inc.
 Cargotec USA Inc., Hiab
 Carolina Strapping and Buckles Co.
 Cherokee Metal Products, Inc.
 Clark Industries, Inc.
 Cold-Formed Steel Council
 Component Runner, LLC
 Cordstrap USA
 Custom-Arch
 DANSCO ENGINEERING, LLC
 Deacom, Inc.
 Eagle Metal Products
 Eide
 Engineered Wood Council
 Essetre - Timber Tools
 FastenMaster
 Finnforest US
 Georgia-Pacific Wood Products LLC
 GerryRigs LLC
 GILMAN BUILDING PRODUCTS, LLC
 Gould Design Inc.
 Habitat Charlotte
 Hardy Frames
 HOLTEC USA Corporation
 hsbCAD - ITW Building Components Group
 Hundegger USA, L.C.
 Integrated Stealth Technology

Intelligent Building Systems - ITW Building Components Group
 International Beams
 ITW BCG Hardware - ITW Building Components Group
 Keymark Enterprises, LLC
 Lakeside Trailer Mfg., Inc.
 Lamco Forest Products
 Langdale Forest Products
 LP Building Products
 MangoTech USA LLC
 Masengill Machinery Company, Inc.
 Metriguard
 Metwood / Nuconsteel
 MiTek
 Monet DeSaw Inc.
 MSR Lumber Producers Council
 Nordic Engineered Wood
 Palfinger North America
 Panel Fastening Systems - ITW Building Components Group
 PANELS PLUS
 Pennsylvania Lumbermens Mutual Insurance Co.
 Princeton Delivery Systems Inc.
 Qualtim, Inc.
 RAND Manufacturing, Inc.
 Rayonier Wood Products
 Robbins Lumber Company
 SBC Research Institute
 Senco Brands, Inc.
 Simpson Strong-Tie
 SL-Laser Systems
 SpaceJoist TE - ITW Building Components Group
 Spotnails
 Stiles Machinery Inc.
 Structural Building Components Association
 Structural Building Components Magazine
 Taiga Building Products
 Timber Products Inspection, Inc.
 Truss Machinery Connections, Inc.
 Truss Plate Council
 Truss Plate Institute
 Trussoft, LLC
 TrusSteel - ITW Building Components Group
 Truswal Systems - ITW Building Components Group
 USP Structural Connectors
 Vekta Automation
 Virtek
 Wall Panel Council
 Wasserman & Associates, Inc.
 West Fraser
 Williams Robotics
 Wood Truss Council
 Wood Truss Systems, Inc.



Editor's Message

A Lifer's Journey Through the Ranks

by Joe Hikel

I would like to thank the Board and members of SBCA for having the confidence in me to be your President. I am honored for the privilege and take the responsibility seriously.

Find out about your new President's roots.

Here is a little background about my career in the industry so you have perspective on my views. I am what you would call a "lifer" in component manufacturing. I worked for two other component plants before we started our family business in Westminster, Maryland in 1976. I have done just about every job in a component plant including wall panel assembly, truss assembly, saw operator, jig set up, forklift operator, truss design, sales, plant management and sales management. Today I run the daily operations of our enterprise with the title of Chief Operating Officer. Like many family businesses the majority of our family's personal net worth is in the business. It truly motivates you to be successful when most of your money is on the line every day.

Like other family businesses we have had to consider succession planning in our overall strategy. We went to a retreat dedicated to this subject in 2000. We decided that in order for me to have the responsibility to successfully run the daily operations, I needed to enhance my skill set in business management. We struggled with how to accomplish this—I was already working full time managing the business, so I was getting all the on the job training possible.

I was in my SUV in between sales calls one day and a commercial came on the radio advertising an Executive MBA program designed for senior managers of their organizations. I thought it seemed like a perfect fit for our needs and pitched the idea to my family. They thought it was a great idea as long as it didn't take away from performing my daily responsibilities. I started the program in 2001, about the same time we oversold our production capacity by about 30 percent. We decided it was time to think about expanding our capacity to capitalize on the margin we were leaving on the table by subcontracting out these sales. The next two years became 90-100 hour work weeks where I integrated going to school and running the business. I would write papers about our business, and also weave new ideas from my peers in the program into the design and execution of our new manufacturing facility. The strategies we implemented during this time have enabled us to be extra lean in these hard times; they will also allow us to react quickly when the market recovers.

at a glance

- ❑ Joe Hikel from Shelter Systems Limited (Westminster, MD) is this year's SBCA President.
- ❑ Hikel worked up through the ranks in the family business, doing everything from component assembly to truss design to sales.
- ❑ SBCA plays a very important role in Shelter's pursuit of running a state-of-the-art operation.

My company has been engaged in SBCA since the early days of our company. My dad Dwight has been active in various roles at the chapter and national level. He encouraged me to become engaged at about the same time I took on a general management role. The idea of having an opportunity to discuss similar issues with component manufacturers from all over the country has been invaluable for us. From ideas that we incorporated into our plant during visits when we were in our benchmarking period, to financial reporting and wage and benefit comparisons, to direct business opportunities on both the buy and sell side, our company has benefitted greatly from our association. Our company goal is to be state of the art in component manufacturing, and SBCA plays a very important role in that pursuit. A recent example of how SBCA participation has helped us is the SCORE program. We were looking for something that would turn our philosophy on excellence into something tangible, marketable. We feel SCORE set the tone for best practices and

Continued on page 8

MARK YOUR CALENDARS FOR BCMC 2011
 SEPTEMBER 21 - 23, INDIANAPOLIS, IN

Editor's Message

Continued from page 7

achieving the Elite level of SCORE fit with our goals. I wish more component manufacturers out there realized the same benefits from SCORE certification that we have.

My goal for the association this year is to solidify our link in the building supply chain by working to improve collaboration with our vendors and our customers. There are several initiatives underway to accomplish this goal. Exciting stuff! I'll tell you about them in more detail in future articles. I also want to make sure that each and every member understands that my goal for SBCA is to provide the tools to not only survive current economic conditions but also to thrive in the future. I don't know about you, but I plan for our family business to be around for a long, long time. **SBC**

SBC Magazine encourages the participation of its readers in developing content for future issues. Do you have an article idea for a future issue or a topic that you would like to see covered? Email your thoughts and ideas to editor@sbcmag.info.

note: In the past, the November issue of *SBC* has included a complete directory of the supplier and professional members of SBCA. Due to budget constraints, this year's directory is not included in the print edition of the magazine, but will appear on our website's Past Issues page under November 2010. For additional ways to search for SBCA Supplier and Professional Members, see the ad on page 19.

New! Fire Insights

The latest technical resources from SBCA address building component performance in fire situations. Called *Fire Insights*, these bulletins analyze issues component manufacturers face with respect to fire performance and offer position statements.

Equivalent Performance Through Testing of Unprotected Floor Assemblies discusses a 2012 IRC and IBC code change requiring floor truss assemblies to be covered with a minimum of 1/2" gypsum board to provide fire resistance. The code change is based on data from various floor assembly fire tests were conducted under vastly different test criteria and conditions. Therefore, the data should not be used to influence code changes.

The report concludes with SBCA's position that fire resistant materials ought to be required for all floor structural framing materials and not single out one particular material.

SBCA's policy is to foster the concept of fire ground safety that is fair and rational. Where increased fire resistance is desired, beyond what has traditionally been allowed by the IRC/IBC, a minimum of 1/2" gypsum wall board or other materials that increase the fire resistance of the floor assembly should be applied to unprotected floor applications, regardless of the structural framing materials that make up the floor system.

Visit www.sbcindustry.com/fireinsights.php to view more *Fire Insights*. **SBC**



SBCA Board of Directors

Officers & Executive Committee Reps.

- **President:** Joseph D. Hikel • Shelter Systems Limited
410-876-3900 • joeh@sheltersystems.com
- **President Elect/Treasurer:** Steven L. Stroder • ProBuild
303-262-8500 • steve.stroder@probuild.com
- **Secretary:** Scott Ward • Southern Components, Inc.
318-687-3330 x106 • sward@socomp.com
- **Past President:** Steven Spradlin • Capital Structures Inc.
479-783-8666 • sspradlin@capstructures.com
- **Kenneth M. Cloyd** • California Truss Company
951-657-7491 • kenc@caltruss.com
- **Dwight Hikel** • Shelter Systems Limited
410-876-3900 • dwight@sheltersystems.com
- **Joe M. Odgers** • Truss Systems, Inc.
770-787-8715 • jodgers@trussystemsinc.com

At-Large Representatives

- **Greg Griggs** • ProBuild Southeast • 770-428-2604
- **Ben Hershey** • ProBuild Northwest • 360-925-4155
- **David Horne** • UFP Mid-Atlantic, LLC • 336-226-9356
- **Jim Thomas** • Trussway Holdings, Inc. • 713-590-8958
- **Jerry Vulgaris** • California Truss Company • 951-436-3162

Directors Representing Chapters

- **Phil Adams** • Northwest Building Components, Inc. • 208-687-9490
- **Keith Azlin** • U.S. Components, LLC • 520-882-3709 x131
- **Clyde R. Bartlett** • Bluegrass Truss Company • 859-255-2481 x100
- **Jimmy Broach, P.E.** • Atlantic Building Components & Services, Inc. • 800-475-3999
- **Dean DeHoog** • Hamilton Truss LLC • 616-879-1171
- **Rafael S. Del Valle** • Florida Forest Products • 727-585-2067
- **David A. Denoncourt** • Beau-Trusses LLC • 603-796-6200 x1
- **Jack Dermer** • American Truss Systems, Inc. • 281-442-4584
- **Barry E. Dixon** • True House, Inc. • 904-757-7500 x321
- **James C. Finkenhoefer** • Truss Systems, Inc. • 770-787-8715 x229
- **John Hogan** • Vivco Components • 816-449-2161
- **Steven M. Johnson** • Nelson Truss, Inc. • 608-884-6141 x400
- **Michael Karceski** • Atlas Components, Inc. • 815-332-4904 x103
- **Taft Ketchum** • PDJ Components, Inc. • 845-469-9191
- **Jess Lohse** • Rocky Mountain Truss Co. • 406-728-5356
- **Glenn McClendon** • Sun State Components of Nevada, Inc. • 702-657-1889
- **David Motter, P.E.** • Louws Truss, Inc. • 425-516-5964
- **Richard P. Parrino** • Plum Building Systems, LLC • 515-978-6269
- **John M. Presley, P.E.** • UFP Mid-Atlantic, LLC • 336-226-9356
- **Michael L. Ruede** • A-1 Roof Trusses • 772-409-1010
- **Gary Sartor** • Stone Truss Company, Inc. • 760-967-6171 x11
- **Javan L. Yoder** • Stark Truss Co., Inc. • 330-479-8314

Associate Member Directors

- **Steve Harms** • iLevel by Weyerhaeuser • 253-924-2083
- **Stanley K. Sias** • Simpson Strong-Tie Co. • 925-560-9066
- **Tom Valvo** • Aegis Metal Framing, LLC • 314-851-2220
- **Thomas F. Whatley, II** • Eagle Metal Products • 800-521-3245



**BUILDING
COMMUNITY
MAKING
CONNECTIONS**

Thanks to Our Sponsors!

- 84 Components
- The Billy Graham Library
- Builders FirstSource*
- California SBCA
- Capital Structures, Inc.
- Charlotte Convention Center
- Charlotte's got a lot*
- Clearspan Components, Inc.*
- Eagle Metal Products*
- Finnforest USA
- George E. Fern Company
- Georgia Component Manufacturers Association
- Habitat for Humanity Charlotte
- High Level Components, LLC*
- Hundegger USA, L.C.*
- iLevel by Weyerhaeuser*
- Instant Sign Solutions
- ITW Building Components Group*
- Jason's Deli
- Lakeside Trailer Manufacturing, Inc.*
- Masonite International
- Minnesota Truss Manufacturers Association
- Missouri Truss Fabricators Association
- MiTek Industries, Inc.*
- New Outreach Christian Center
- Northwest Truss Fabricators Association*
- Palfinger North America
- PSAV Presentation Services
- NUCONSTEEL, a Nucor Co.*
- Pratt Industries, Inc.*
- ProBuild*
- Qualtim, Inc.*
- Robbins Manufacturing Company*
- Rose Chauffeured Transportation
- SBCA*
- SBCA – Arizona*
- SBCA of the Carolinas*
- SBCA – Illinois*
- SBCA – New York
- SBCA – Northeast
- Shelter Systems Limited*
- Simpson Strong-Tie Co.*
- SL Laser Systems LP*
- Smart Components by TRUSSED, Inc.
- Southern Nevada Component Manufacturers Association
- South Florida WTCA
- Southwest Florida Truss Manufacturers Association
- Stock Building Supply*
- Timber Tech Texas, Inc.
- Truss Manufacturers Association of Texas*
- Truss Systems, Inc.
- Trussway, Ltd.
- USP Structural Connectors*
- The Westin Charlotte
- Williams Robotics, LLC*
- Wood Truss Systems, Inc.
- WTCA Ohio Chapter Association*
- ZIP System® Wall Sheathing

*Founding Sponsor (In order to reach Founding Sponsor status, the SBCA member must have donated a minimum of \$1000 by March 31, 2010.)

BCMC 2010 – Top three questions asked at EIS booth.

“Will WizardPDS® drop-in Channels™ retrofit my table?”

YES! WizardPDS® drop-in Channels™ will retrofit with any table – even wood setup tables!

“So, how much does it cost?”

About what you currently pay in 6 months for excess labor and lost productivity without a WizardPDS® retrofit.

“Where do I put my manual jiggling?”

In the scrap bin. We don't require any.

A WizardPDS® drop-in Channels™ retrofit will convert your table into a 100% automated, state-of-the-art system – with 15 second set-up and NO manual jiggling required!

**WizardPDS®
drop-in Channels™**
Your Table ... Automated!



We bring the best together!

Toll free 800-344-3433
www.eideintegratedsystems.com
PO Box 11397 / 3219 North Second St
Minneapolis, MN 55411-0397

For reader service, go to www.sbcmag.info/eide.htm

by Jim Vogt, P.E.

Requirements for the type of lumber used for restraining and bracing

The Building Component Safety Information (BCSI) booklet indicates that lumber used for restraining and bracing truss members must be *stress-graded*. The term *stress-graded* sometimes leads to confusion when determining the minimum grade of lumber that can be used. Though the topic has been discussed before in *SBC*, we revisit it here to clarify a couple of the more common misperceptions.

Question

I am a framing contractor who will be installing metal plate connected wood trusses in the roof of an apartment building. The truss manufacturer has provided BCSI summary sheets as part of its jobsite package. While reviewing the information, I noticed BCSI recommends that the lumber used for lateral restraint and diagonal bracing of the trusses should be minimum 2x4 stress-graded lumber. The term *stress-graded* puzzles me. Does this mean I need to use MSR lumber for the bracing, or is No. 2 SPF acceptable? Also, it used to be permissible to use 1x3s and 1x4s for truss bracing. Why the change?

You do not need to use machine stress rated (MSR) lumber for the truss member restraint and bracing. Certain visual grades will also meet BCSI recommendations. Stress-graded refers to lumber that has been graded for its mechanical (i.e., strength and stiffness) properties.

Answer

You do not need to use machine stress rated (MSR) lumber for the truss member restraint and bracing. Certain visual grades will also meet BCSI recommendations. *Stress-graded* refers to lumber that has been graded for its mechanical (i.e., strength and stiffness) properties. These properties include bending stress, F_b ; tension parallel to grain stress, F_t ; shear parallel to grain stress, F_v ; compression perpendicular to grain stress, $F_{c\perp}$; compression parallel to grain stress, F_c and modulus of elasticity, E . The properties are used by architects and engineers to determine the grade and size of lumber required to safely resist the anticipated design loads. The requirement that the lumber used for restraint and bracing of truss members be stress-graded is to ensure that the material has been graded to account for the effects of strength reducing characteristics (e.g., knot quality, size, location and frequency) and not solely on appearance.

Visually graded lumber grades that meet the definition of stress-graded include: Select Structural, No. 1, No. 2, No. 3, Stud, Construction, Standard and Utility. Various grades of mechanically graded lumber including MSR and machine evaluated lumber (MEL) also meet the stress-graded definition.

Design values for sawn lumber are available from several sources. This includes lumber grading agencies that develop the grading rules and lumber associations that provide technical and marketing support for the various products. The Supplement to the National Design Specification® (NDS®), published by the American Forest and Paper Association (AF&PA) includes the design values for all of the commercially

USE WITH TABLE 4A ADJUSTMENT FACTORS										
Species and commercial grade	Size classification	Design values in pounds per square inch (psi)						Modulus Of Elasticity		Grading Rules Agency
		Bending F_b	Tension parallel to grain F_t	Shear parallel to grain F_v	Compression perpendicular to grain $F_{c\perp}$	Compression parallel to grain F_c	E	E_{min}		
SPRUCE-PINE-FIR										
Select Structural	2" & wider	1,250	700	135	425	1,400	1,500,000	550,000	NLGA	
No. 1/No. 2		875	450	135	425	1,150	1,400,000	510,000		
No. 3		500	250	135	425	650	1,200,000	440,000		
Stud	2" & wider	675	350	135	425	725	1,200,000	440,000		
Construction	2" - 4" wide	1,000	500	135	425	1,400	1,300,000	470,000		
Standard		550	275	135	425	1,150	1,200,000	440,000		
Utility		275	125	135	425	750	1,100,000	400,000		
SPRUCE-PINE-FIR (SOUTH)										
Select Structural	2" & wider	1,300	575	135	335	1,200	1,300,000	470,000	NELMA NSLB WCLIB WWPA	
No. 1		875	400	135	335	1,050	1,200,000	440,000		
No. 2		775	350	135	335	1,000	1,100,000	400,000		
No. 3	450	200	135	335	575	1,000,000	370,000			
Stud	2" & wider	600	275	135	335	625	1,000,000	370,000		
Construction	2" - 4" wide	875	400	135	335	1,200	1,000,000	370,000		
Standard		500	225	135	335	1,000	900,000	330,000		
Utility		225	100	135	335	675	900,000	330,000		

Figure 1. Excerpt from Table 4A of the 2005 edition of the National Design Specification® (NDS®) Design Values for Wood Construction Supplement showing the reference strength values for various visual grades of SPRUCE-PINE-FIR and SPRUCE-PINE-FIR (South) lumber.

available lumber in the United States. Figure 1 shows an excerpt from the 2005 Edition.

Let's clarify your point about using dimensions other than 2x4 for bracing and restraint. The building designer can certainly specify the use of other materials, including 1x3s and/or 1x4s for restraint and bracing. This is indicated in BCSI:

Minimum size Bracing and Lateral Restraint material is 2x4 stress-graded lumber, or approved Proprietary Metal Restraint/Bracing, unless otherwise specified by the Building Designer.

It is critical, however, to make sure that stress-graded board material is used. Board grades such as No. 1, No. 2 and No. 3 are sometimes mistaken to have the same design values as No. 1, No. 2 and No. 3 visually graded dimension lumber. In reality, No. 1, No. 2 and No. 3 boards are graded for appearance and primarily non-structural applications. Stress-graded boards from Canadian species and species from the eastern and western U.S. include the designation "SRB" on the grade stamp indicating a Stress-Rated Board. Stress-rated Southern Pine boards include the grades Industrial 55, Industrial 45 and Industrial 26. The design values for stress-rated boards are published by the grading agency for the particular species combination being used. **SBC**

To pose a question for this column, call the SBCA technical department at 608-274-4849 or email technicalqa@sbcmag.info.

Clark Industries, Inc.
Since 1967 - Monett, Missouri

The Post & Column Laminator.

Create straight & true fully-treated columns

3, 4, & 5 ply clamping capacity up to 40' long

Uses 2 x 6, 2 x 8, & 2 x 10's

Easy to load & run with a single operator

PLC controlled nailing

10-Ton hydraulic rams straighten columns before & during nailing sequence

Ejection & Stacking systems available, please inquire

Call us toll-free @ 1-800-743-9727 or visit our web site @ www.clark-ind.com

Interested in manufacturing your own posts & columns?



For reader service, go to www.sbcmag.info/clark.htm

Serving and supporting the structural building components industry for more than

20 Years



QUALTIM

www.qualtim.com

For reader service, go to www.sbcmag.info/qualtim.htm

First Annual BCMC Build Gives Industry a Feel-Good Boost



by Libby Maurer

BCMC Build unites attendees toward a common goal.

No one will ever forget the first year of BCMC Build: rain, then mud, and a whole lot of camaraderie. Enough camaraderie, in fact, to change the tenor of the entire BCMC Show. "We were covered with red mud from head to toe at the end of the first day...and laughing about it," said Carl Schoening, BCMC Build Production Chair. "But it gave everyone something positive to talk about. That was the point."

Ever since the downturn, the BCMC Committee has turned its attention toward reinventing the 30-year-old tradeshow. "The show has typically been very machine-focused. I don't think that's enough anymore, especially during a time when the industry isn't expanding a whole lot," said Dan Holland, BCMC Build 2010 Chair. He thought a charitable event would unite people toward a common, positive goal. And maybe even appeal to folks who wouldn't normally go to BCMC. "There's a strong need to reach out to people who feel they don't have a reason to come to the show."

If the goals were to bring the industry together, help a Charlotte family realize the American Dream, and educate the community about the benefits of building components, BCMC Build was an exhilarating success. "The camaraderie of all kinds of people from our industry was something to see. We had management, executives and competitors—none of them competing for attention. To see it fall into place was amazing," said Jerry Vulgaris, BCMC Build Marketing Chair. In essence, the Build more than lived up to the BCMC theme, *Building Community, Making Connections*.

The teamwork for BCMC Build started well before volunteers met on the jobsite September 27. In March, the group started working with Habitat Charlotte on the floor plan and integrating building components into the home. In February, the Committee began a fundraising campaign to collect funds to build the house from the ground up. (Over \$55,000 was donated by more than 50 companies. See page 9 or visit www.bcmshow.com/bcmcbuild.php for a list of donors.) Component manufacturers and material vendors were given the opportunity to make material donations. In the weeks leading up to BCMC Build, the Committee finalized jobsite signage and



Volunteers set the walls mid-day on Day 1.



The roof trusses were set Day 1.

t-shirts for the volunteers. Schoening put together the volunteer list, created the framing schedule, and defined production goals for Day 1 and Day 2 to keep things on track.

Going the Distance

A framing crew from Capital Structures drove over 900 miles towing a trailer full of tools. "They brought every tool you could possibly imagine from Arkansas to Charlotte," Holland said. Jeremy Jones, Wes Sadler, Larry Sanford, Justin Williams and Steven Spradlin (SBCA Past President) coordinated each stage, calling out the next steps so other volunteers could prepare tools and materials. "I was afraid we'd get bogged down in making decisions. But the Capital guys blew past those points so we could move forward."

Schoening said the framing team was integral to staying on schedule. "They sure knew how to work that timeline. You could tell they've had experience doing this kind of build before," he said. Sanford said his team stepping in to take the lead is natural. "We each know our strengths and revert to what we're used to," noting the team has worked together on similar charity builds.

Nuconsteel donated the materials for a cold-formed steel garage near the back of the house. Volunteers from the company were on site on Day 2 to frame it. (See photo on page 15.)

Although the Ksor family's limited English created quite a language barrier, many volunteers said their actions expressed their gratitude. At the jobsite both days, Mr. Ksor helped frame, while mother Ayui Rmah swept the subfloor free of debris over and over. "When the family is working alongside you, it makes you appreciate the work you're doing for them," Spradlin said.

The Habitat personnel learned a lot about how to use structural components and their benefits by observing how they were framed. "One of the site supervisors said they picked up two full days on the job by using components. We framed it in half the time, so they were very aware of the advantages," said Vulgaris.

The event attracted impressive local media coverage, including live from the jobsite segments by local NBC and ABC

Continued on page 14

The VIKING Combo-16

Framing & Sheathing on ONE Platform

Modular: 16' long or 60' long: we can build the length you need!

- Manual Stops
- Stud Locators 16" and 24" o/c
- Manual Frame Nailing
- Quick Disconnect Air Fittings for Hand Tools
- Automated Sheathing Nailing
 - Simple to Use Controls
 - Tilt Nailing
 - High Load Coil Capacity
 - Infinite o/c spacing
- Quick Change Tool Mounts
- 2x4, 2x6, and 2x8 capable
- Programmable for Under and Overhung Sheathing

Wall Panel Solutions That Fit Your Business Needs



Viking Wall Panel Systems
800.328.3402
www.vikingeng.com
info@vikingeng.com

For reader service, go to www.sbcmag.info/viking.htm

MASENGILL MACHINERY CO.

Production Machinery Specialists Since 1963

New • Used • Refurbished • Reconditioned

- Over 50,000 sq. ft. warehouse filled with equipment to meet your needs:
- | | | |
|--|---|---|
| 1 - ADT "FASTRAC" Bridge Nailer | Gantry w/Auto-Stackers | with Koskovich Jet-Set Automation Hardware |
| 2 - ADT Wall Panel Lines | 5 - Klaisler Powered Outfeed Roller Systems | 1 - Pacific Automation Floor Gantry w/Auto-Stacker |
| 1 - Alpine 14'6" Finish Roller | 2 - Koskovich Auto-OMNI, 5 Heads with Ink Jet Printer | 1 - Paslode Model CN70 Sub Component Nailer |
| 4 - Alpine Model #725D Finish Rollers(15'6") | 1 - Mango Tech "Wall Extruder" 2006 | 1 - Robbins Valley Set Shaper |
| 1 - Alpine Speed Roll TW Floortruss Machine | 30 - Material Handling Carts (Steel) | 1 - Robbins 7 Station Lumber Carousel |
| 1 - ASI FWA-500 Floor Web Saw | 2 - Monet B500 Component Saws | 1 - Speedcut MetraCut w/Mango Automation |
| 5 - ASI Stretch Roller Bed Trailers | 2 - Pacific Automation Auto 8's | 1 - Speedcut EWC Web Saw |
| 1 - ASI Roller Bed Trailer | 2 - Pacific Automation 5 Strand Live Decks | 1 - Spida Model CXTM R/A Saw with Hain Measuring System |
| 2 - Clary 329 Short Cutters II | 4 - Pacific Automation Auto-Roll 14TR Gantry Rollers | 1 - TCT Model 1150 w/ Mathews Ink Jet System (2005) |
| 1 - EMSI Model #305 20' Lumber Conveyor | 1 - Pacific Automation Auto-Roll 14' capacity | 1 - Weima Model 1300 "TIGER" Wood Grinder |
| 60 - Factory Wagons | 2 - Pacific Automation 125' J-Slot Gantry Lines | |
| 1 - Jager TTS Auto Stacker | | |
| 1 - Klaisler RolSplice Machine | | |
| 2 - Klaisler G2450 Floor | | |

TCT Model 1150 w/ Mathews Ink Jet System



1002 Buffalo Trail • Morristown, TN 37814
Office: (888)USE-WOOD (873-9663)
Fax: (423)586-0483
info@masengills.com

www.masengills.com

For reader service, go to www.sbcmag.info/masengill.htm

Wood Truss Systems inc.
MANUFACTURERS' REPRESENTATIVES

Truss and wood component machinery experts for over 30 years. We can help you enter the component industry or refine your existing facility with custom equipment solutions featuring:

New & Used

- ▲ Truss Production Equipment
- ▲ Wall Panel Framing Equipment
- ▲ Automatic & Manual Cutting Equipment: Component, Radial Arm, Linear Single Blade Saws
- ▲ Plant Layouts / Production Consultants
- ▲ Automated Jigging Systems
- ▲ Automated Mesuring Devices
- ▲ Replacement Production Surfaces

Count on effective, economical and timely solutions.

www.WoodTrussSystems.com

888.288.WTSI (9874) 

For reader service, go to www.sbcmag.info/wts.htm.

Serving the Truss Industry Since 1987

New & Used Models in Stock



For over 20 years, Lakeside Trailer has led the way in the component trailer industry with innovative ideas to assure your delivery operations remain efficient in today's competitive market. With more than 1700 truss trailers to our credit, Lakeside has perfected ways to reduce or eliminate your transportation concerns.

LAKESIDE
TRAILER MANUFACTURING, INC.

573/736-2966 • 573/736-5515 fax
www.rollerbed.com • lee@rollerbed.com

For reader service, go to www.sbcmag.info/lakeside.htm.



Volunteers from Capital Structures put the finishing touches on the floor trusses.

First Annual BCMC Build Gives Industry a Feel-Good Boost

Continued from page 13

affiliates. The staff of Visit Charlotte and Habitat Charlotte promoted BCMC Build tirelessly by distributing media advisories and organizing open media sessions at the jobsite. "The work of Habitat Charlotte and Visit Charlotte to pitch our event was tremendous. Linda Blum and Phil Prince from Habitat Charlotte and Molly Hedrick, Susan Schwint and Mike Butts from Visit Charlotte did a fantastic job," Vulgaris said.

Local Media Coverage

Reporter Meghan Danahey with NBC affiliate WCNC Channel 36 documented the event from before volunteers started Monday morning all the way to Wednesday's Kick-Off ceremony at the Convention Center. Her interviews with volunteers appeared on several newscasts throughout the week, and one segment was even posted on WCNC.com's "Most Viewed" video list. Ben Hershey, who joined his ProBuild colleagues on the jobsite Tuesday, found that the media coverage made quite an impact. "On the way to the airport, I told the taxi driver I'd been in Charlotte for the BCMC Conference. He said, 'Oh, you're the group that built the house everyone is talking about.' All I could do was smile," he said.

Suppliers who donated their products were grateful that Habitat allowed them full exposure on the jobsite. "There's no doubt that when you compare this event to Extreme Makeover: Home Edition, everyone who donated products got some mileage out of the exposure. Habitat was completely open to helping us market our products," Vulgaris said. Spradlin said it's refreshing to work with an organization that "gets" that charity should be a selfless act. "The great thing about this project is it wasn't about glitz and glamour. It's about helping a deserving family."

A video crew from ITW Building Components including Michael Fagan, Gary Muzzarelli and Mark Duffy filmed the event from start to finish, and then produced a video documenting each stage of the process for viewing on the show floor.

Wednesday Kick-Off

Bert Green, Executive Director for Habitat Charlotte, told BCMC attendees that they lived out their theme of Building Community, Making Connections. "Your industry shows us that the power of making connections makes things stronger. Roof, floor or wall—it doesn't matter what the components are, when you connect them, they create something even stronger," he said at the Kick-Off ceremony Wednesday morning. "Acknowledging the family really brought the experience together. Seeing them together, you realize we



Volunteers from NUCONSTEEL framed the family's garage with cold-formed steel on Day 2.

took a house and it made it a home," said Vulgaris. The Ksor family accepted a housewarming gift, and the father thanked BCMC attendees and exhibitors for their generosity.

Holland believes the idea he had one morning driving to work in late 2009 had a large influence on the culture of BCMC. "And I think probably a lasting one. The initial goal was to have an activity other than buying and selling machinery. But the unexpected result was that it bridged a divide among all



The Ksor family, pictured with BCMC Chair Bob Allen and Habitat Charlotte Executive Director Bert Green, accepted a housewarming gift at the BCMC Kickoff ceremony.

of us as competitors." Vulgaris felt the mood at BCMC was a little lighter. "You could almost feel the pride in the air." When the waters get still, sometimes you have to make your own waves. BCMC Build is a wave the industry hopes to ride for years to come, rain or shine. **SBC**

Preparations are already underway for BCMC Build 2011 in Indianapolis. If you'd like details about getting involved, contact Jill at jzimmerman@qualtim.com. Visit www.bcmcbuild.com for a copy of the final video.



**Structure,
Space, Support**

Simpson Strong-Tie introduces the AHEP adjustable hip-end purlin – a structural purlin that also serves as a truss installation aid. The AHEP attaches to the step-down hip trusses at the leading edge eliminating the need for drop top chords and gable end fillers. It installs linearly, aligned with the end jacks, to maintain framing spacing from eave to hip or peak. Roof sheathing/decking attaches directly to the purlin. Adjustable in length, the AHEP is designed to accommodate a pitch range of 3/12 to 9/12 as a structural purlin and up to 12/12 as an installation spacer/lateral restraint.

For structure, space and support, try the new AHEP for wood and cold-formed steel truss installations. Learn more by visiting www.strongtie.com/AHEP or by calling (800) 999-5099.

For reader service, go to www.sbcmag.info/simpson.htm

SIMPSON
Strong-Tie

Tower Units & Steep Sloping Roof Make for Inventive Design

Multi-family project features complex structural elements to achieve towering results.

by SBC Staff

The residents of a new multi-family unit in a suburb north of Indianapolis may not appreciate the intricate truss design work that went into their building. But Eric Kolosky, truss technician with Trussway Ltd., and Joe Heinsman, one of the project engineers with Lynch, Harrison & Brumleve Inc., remember it well.

The 200-unit apartment building in Carmel, IN contains three levels of living space (about 220,000 sq. ft.) and features a number of complex structural elements to achieve its intended aesthetic. The first floor of the building is reserved for commercial space. Apartment units line the second and third floors around the outer and inner perimeter. The fourth floor has a “mezzanine” level or partial story that extends the fourth floor wall height to two full stories. There are two levels of underground parking, and an open-air courtyard with pool sits in the middle of the complex.

Each of the complex’s four corners is capped by towers. The south side of the building faces the main street of the city’s art district, so the towers (southeast and southwest) serve as its focal point. The southeast tower is easily identifiable with rounded walls and a cone-shaped roof, while the southwest tower is square. Each tower contains a unique truss system.

The truss systems have one thing in common: they’re all tray trusses that bear on both the top of mezzanine walls and a lower tall wall that is less than the full two-story walls. Heinsman explained that this type of truss configuration steadies the walls and prevents them from moving in or out, and the walls hold the trusses up. “That’s true of all tray trusses, but in this scenario it’s even more deliberate, because of the tall

walls and higher corner zone wind loads,” he said.

But that’s where the similarities end. The truss configurations as well as their orientation in the towers’ roof system are completely different.

Southeast Tower Fit for a King

Based on its appearance, you may guess that the southeast corner (see photo on facing page) was the most complicated to design. Not so, Heinsman said. “It appears to be messier and required more coordination, but it really wasn’t as structurally complicated as the southwest corner.” The two main objectives were 1) making the transition from the walls to a true curved roof, and 2) tying the steep vaulted scissor trusses into a beam that dissected the tower.

The stick-framed walls were built to create a semi-curved effect, but they don’t form a true circle. The walls are curved between openings but had to be straight at the openings, creating an alternating straight and curved shape at the top of the wall. The identical scissor trusses were set to fan out into a half-circle. On the inside, scabs were needed on some of the trusses to create the transition from the non-circular wall to the truly conical truss configuration.

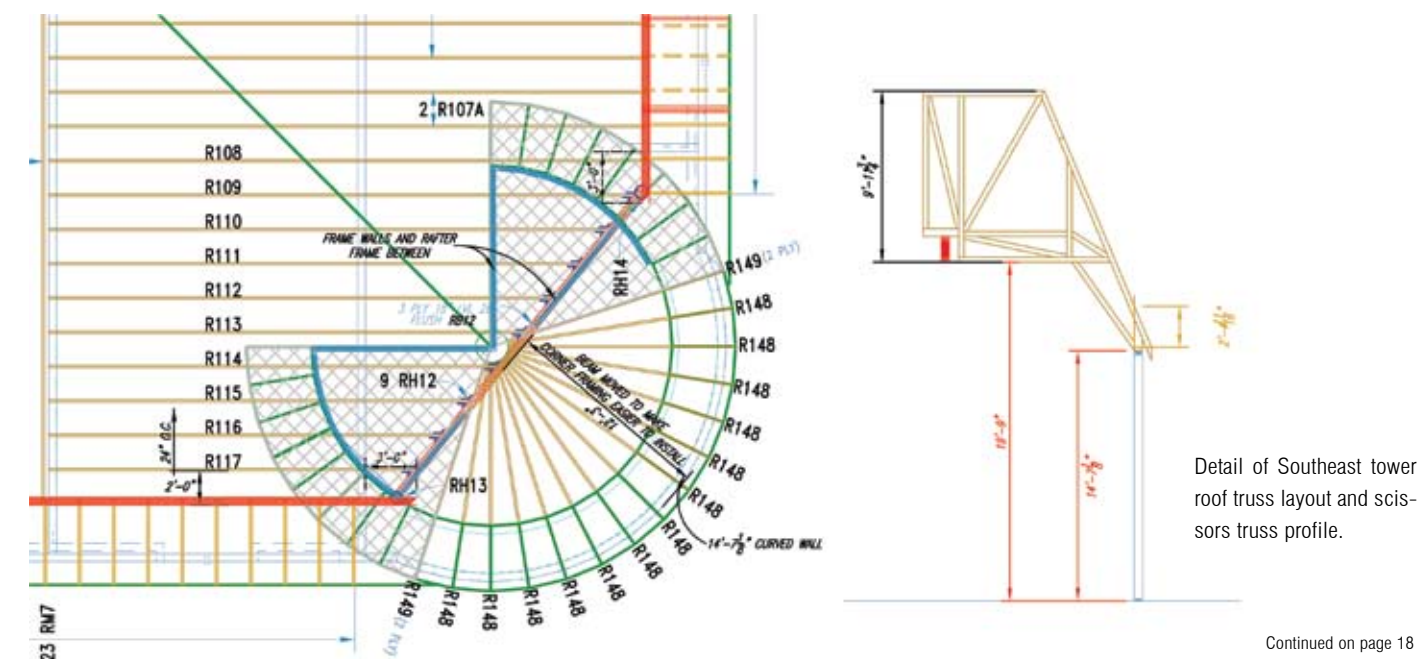
Around the perimeter of the building at the mezzanine level, continuous 3-ply LVL beams carry the roof trusses for the entire roof. This was necessary because a mansard runs the perimeter of the building splitting the 2-story exterior walls in half with the top half sloping inward. The beams come together at the southeast corner with short cantilevers. They are supporting another beam, set at a 45 degree angle, which splits the corner in half. Heinsman said the truss supplier had some excellent ideas to improve the way the supporting beams were configured. The end result required a 1-ply param for the cantilevered beams to simplify the connection of the angled LVL beam.



The tower is framed with high-heeled scissor trusses, creating a true conical roof shape. Scabs added to the sides of many truss bottom chords create an alternating straight and curved shape at the top of the wall. This makes way for the transition to a true continuous circle for the tower. A total of 15 trusses with a 28/12 pitch create a “fan effect,” said Kolosky. The trusses tie into the angled beam (top).



A cantilevered beam (top left) carries the beam that runs across tower at a 45 degree angle (top right). An identical configuration is replicated on the opposite side. “The two cantilevered beams are one-piece param to avoid concerns over the hanger distributing load to multiple plies in a very short cantilever,” Heinsman said. Kolosky and Heinsman worked together to adjust the placement of the beam to allow the scissor trusses to tie into it and simplify the installation.



Detail of Southeast tower roof truss layout and scissor truss profile.

Continued on page 18



"The design was complicated enough that I'm thinking 'good luck' to the framer. But they did a really good job," said Kolosky. The framing crew built several elements on the ground before setting them, including the dormers. "The pictures are a little deceptive because the roof pitch is so steep the dormers don't really look like dormers," Heinsman said.

Square Tower Is No Square

Although the rounded tower may be more visually exciting, Heinsman said the square tower on the west end actually yielded the most complicated design. "Structurally it was kind of interesting because we had to deal with load coming from two directions." He said the basic square shape from the outside looks deceptively simple. "You have trusses running east to west, but then the south wall has short jack trusses that had to be tied to the trusses behind them with blocking and strapping to give additional stability." Tying the jacks to the main span trusses and the ceiling and roof diaphragms allows them to function as lateral braces for the top of the wall just as the main span trusses do.

Continued on page 20



The short span roof beam hanging on a girder tray truss. Also, a header truss at the dormer supported by a tray girder truss at each side of the dormer.



View of loft corner. The top left shows jack trusses tying into the main east-west trusses to provide stability to the walls. (The framing and straps tying the jack trusses to the main span trusses are not yet in place.)

DO THE MATH!
 $SS + TS + IPH =$
 Superior Strength + Top Stiffness + Ideal Plate Holding

Southern Pine:
Your Choice for Components

SOUTHERN PINE
BY DESIGN

www.southernpine.com • info@southernpine.com

For reader service, go to www.sbcmag.info/spc.htm

SBCA™ Membership Directory ONLINE

NEED A SUPPLIER?

- STEP 1** Go to:
sbcindustry.com/memlist.php
- STEP 2** Select:
Associate Members
- STEP 3** Select:
Company Type OR
Company Name

Please support the companies that support our association!



Contact SBCA staff: 608/274-4849
OR info@sbcindustry.com

True.

As a family owned, full-service plate supplier, Eagle Metal serves independent truss manufacturers. For more than 20 years, we have provided component manufacturers with quality connector products, structural component software and dependable, customer-first support.

Partner with us today.

Connector Products • Structural Component Software • Customer-First Support

eaglemetal.com • 1-800-521-3245

For reader service, go to www.sbcmag.info/eagle.htm

sensible

When you invest in machinery you require a return on your investment. Weinmann automated production solutions from Stiles Machinery deliver on that return with the promise of a sensible investment. In today's market, automated solutions are providing panel and truss manufacturers the ability to remain competitive with the flexibility to grow as their business requires. Stiles and Weinmann offer the proven machinery design and implementation experience you expect from the leaders – a partnership that will quickly impact your bottom line and return on investment. Learn more about how to employ the promise of sensible automation.

For more information, contact Michael Miller, Director of Building Automation, at 616.698.7500 or mmiller@stilesmachinery.com or visit www.stilesmachinery.com.



stiles

Your success is our business.

CNC Linear Saws

- Five-axis machines
- 7/8" x 2" – 6 7/8" x 16 1/2" cross section
- EWP materials to 60'
- Cut, mark and layout abilities
- Route, drill and milling functions
- One operator



Robotic Material Handling

- Most efficient in the industry
- Increase machine availability and operator output
- Automatically access 5-12 full bunks of raw materials
- Vacuum technology



Wall Panel Automation

- Reduces labor 75%
- Computer controlled consistency
- Entry level through full automation
- Modular and upgradable
- Framing, nail, screw, route and stacking solutions



Stiles Software

- Manufacturing Execution System (MES)
- AVIA Projection System
- Custom Applications

stiles software

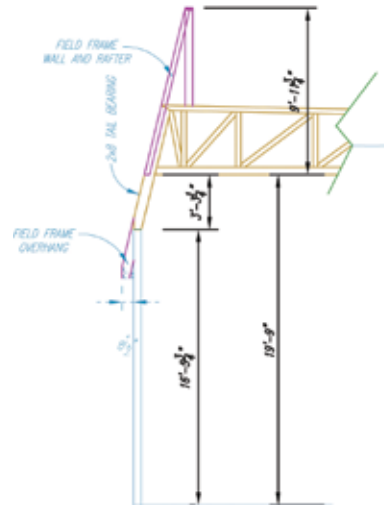
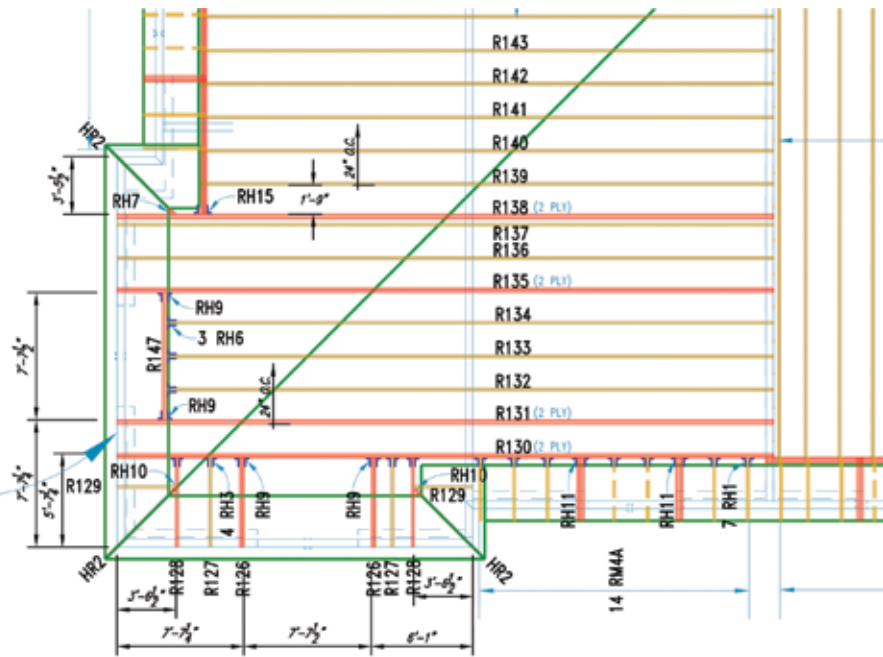
For reader service, go to www.sbcmag.info/stiles.htm



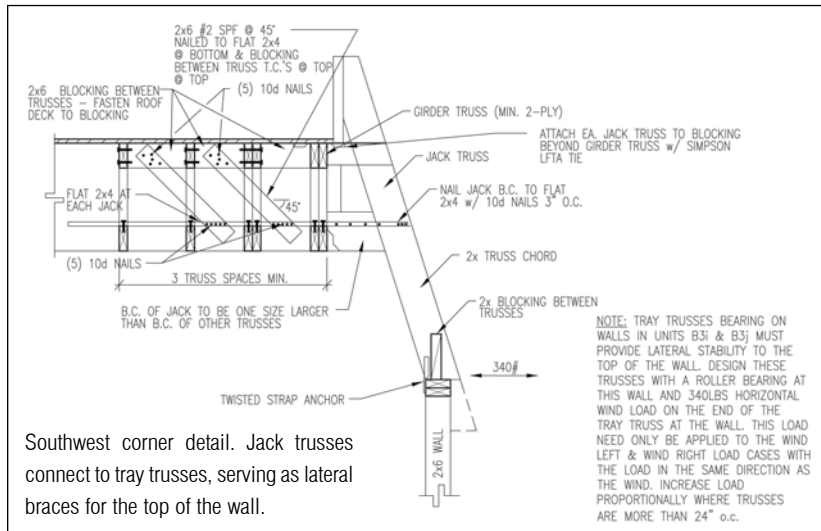
Tower Units...

Continued from page 18

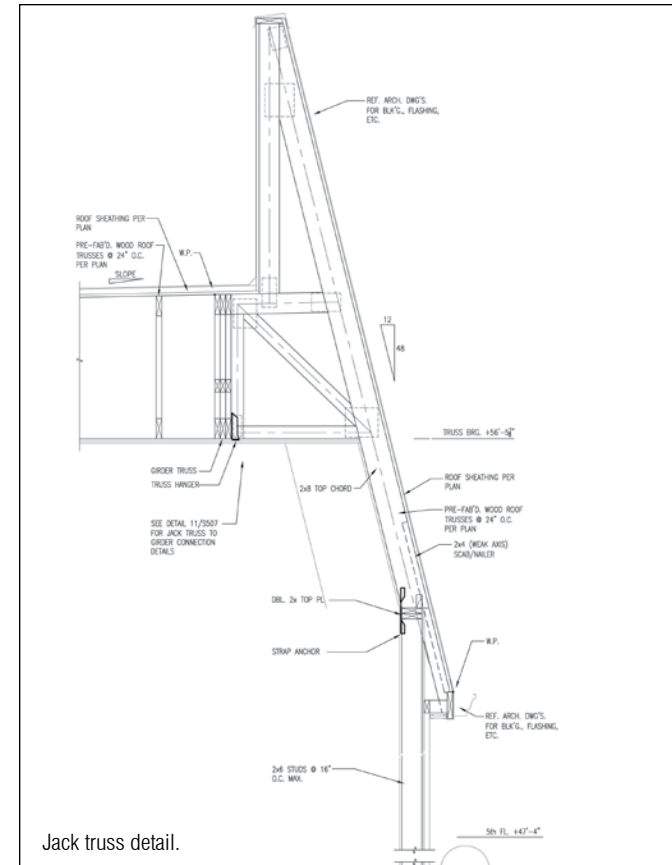
Southwest tower roof truss layout and tray/jack truss combination profile.



Outside view of Southwest tower.



Southwest corner detail. Jack trusses connect to tray trusses, serving as lateral braces for the top of the wall.



Jack truss detail.

SBC wants to hear about your interesting and/or challenging project. Email editor@sbcmag.info with details. **SBC**

For reader service, go to www.sbcmag.info/finnforest.htm

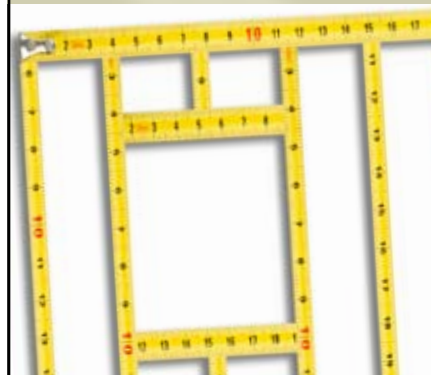
Under One Roof! ITWBCG equipment and wall panel software can get the results you need!

IBS Wall Panel Design Software—Where the whole process begins!

Corporate Office • 2820 N. Great Southwest Parkway • Grand Prairie, TX 75050 • 800-755-6005

For reader service, go to www.sbcmag.info/ibs.htm

Wall Framing Made Simple...



PLUS
PANELS
PLUS

Success is measured only one way – by the components you build

With our reputation for building machinery "that works" and our master design capabilities you can be assured Panels Plus equipment will increase your production.

- Low budget multi function single table (requires little shop floor space)
- Custom length tables for long walls. Interior/exterior fastening options (nails, staples, screws)
- Custom built bridge over your existing table
- Tilt table with both side access (near vertical positioning)
- Floor section tables (adjusts from 6' to 16', up to any length)
- Steel stud tables (inquire)
- Sub component nailer (builds 8 different wall sub components)
- Mount any brand of nailer, stapler, screw gun (on most any machine)
- Material Handling carts (extra heavy duty)

For information call Tim Kaasa
866.726.7587 or www.panplus.com

For reader service, go to www.sbcmag.info/panelsplus.htm



Parting Shots

Share your stories and photos with us! Send submissions to partingshots@sbcmag.info.



The members of the SBCA's Texas Chapter, the Truss Manufacturers Association of Texas (TMAT), work hard every year to make sure they bring home the #1 Chapter trophy in the SBCA Annual Membership Drive. Showing off their TMAT pride, attendees of their September golf outing and dinner meeting gathered 'round for this photo with the marble trophy.

Coming as no surprise, the chapter pulled off an eleventh-hour victory in the 2010 Membership Drive too—after this meeting, the trophy was headed back to the engraver to have the chapter's name etched onto the column for the eighth time! **SBC**



REACH FOR EXCELLENCE

Take Your Plant to New Heights with SCORE



"In order to succeed, our customers need to know they can count on us to provide what's needed. Working with SBCA and becoming SCORE certified proves we are committed to excellence."

– Steve Kennedy, Engineer/Training Manager, Lumber Specialties

Set your company apart with SCORE's certification program that incorporates all of SBCA's education and training programs – helping you implement cost-effective industry best practices. Learn more about options and how to get started at www.sbcindustry.com/score.php.



SCORE Elite

ProBuild Manufacturing

www.probuild.com

Anchorage, AK	Norcross, GA	Clackamas, OR
Big Lake, AK	Pooler, GA	Mitchell, SD
Chugiak, AK	Hawarden, IA	Buda, TX
Kenai, AK	New Hampton, IA	Carrollton, TX
Phoenix, AZ	Indianapolis, IN	Mercedes, TX
National City, CA	Valley Center, KS	West Point, VA
Dolores, CO	Dry Ridge, KY	Auburn, WA
Longmont, CO	Wadena, MN	Walla Walla, WA
Lady Lake, FL	Albemarle, NC	West Richland WA
Milton, FL	Albuquerque, NM	Spokane, WA
Plant City, FL	Berlin, NJ	De Pere, WI
	Delaware, OH	

Shelter Systems Limited

www.sheltersystems.com • Westminster, MD

Sun State Components of Nevada, Inc.

www.sunstatenv.com • North Las Vegas, NV

SCORE Leaders

Capital Structures

www.capstructures.com
Fort Smith, AR

Dakota Craft Truss

www.dakotacraft.com
Rapid City, SD

Lumber Specialties

www.lbrspec.com
Dyersville, IA • Story City, IA

Plum Building Systems, LLC

www.plumbuildingsystemsinc.com
West Des Moines, IA

True House, Inc.

www.truehouse.com
Jacksonville, FL

Truss Craft

www.trusscraft.com
Cheyenne, WY

SCORE Achievers

Latco Structural Components

www.latcoinc.com
Lincoln, AR

Tri-County Truss, Inc.

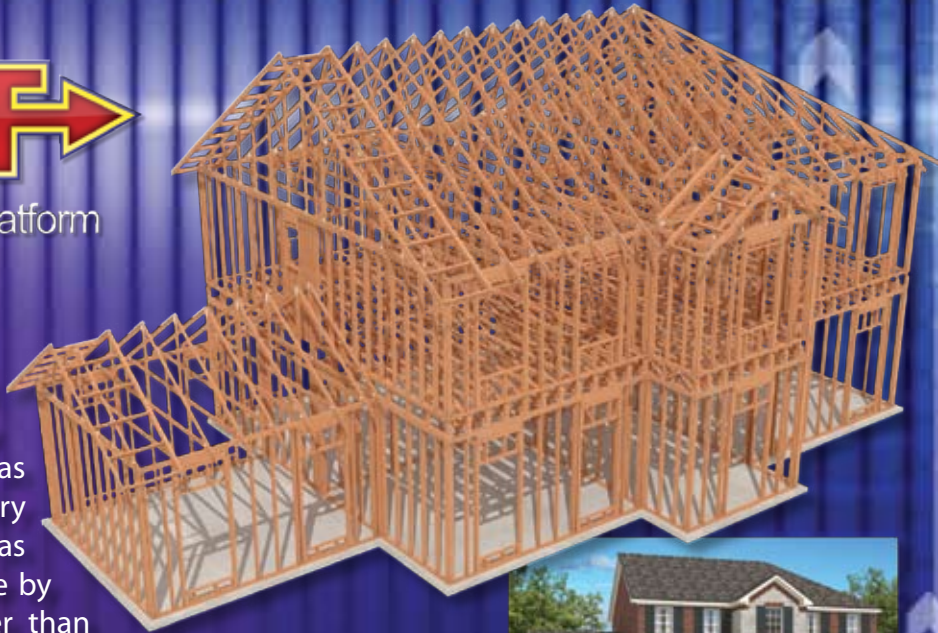
www.tricountytruss.com
Burlington, WA

Truss Systems, Inc.

www.trussystemsinc.com
Oxford, GA

CONNECT

with ITW's Building Design Platform



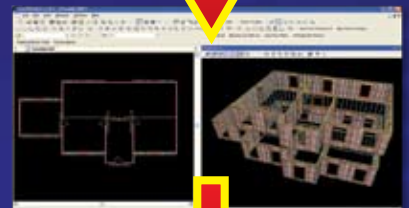
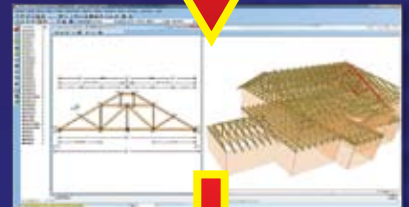
It has been estimated that a typical structure is completely redrawn by construction professionals as many as seven times before it is ever built! Industry experts agree that designers could save as much as 30 to 60 percent of design time by building on work already done - rather than restarting each step from a blank page. Clearly, bringing the industry together would speed the overall process and help create more end-user value. So what is the solution? Instead of offering a one-size-fits-all program that does everything for everyone - it makes more sense to build tools that allow professionals to work together and keep the programs they need to do their specialized jobs. By collecting the output of all design work into one three-dimensional file we could cut design time substantially and all but eliminate field surprises. The resulting 3D file would be a virtual proof of the finished building!

The good news is that ITW BCG began work on this project years ago, and has solutions in place so that you could help lead this revolution - RIGHT NOW. ITW BCG software ties the industry together using our 3D file exchange format called ModelMap. It also gives designers the additional benefit of real-time exchange of model information between ITW BCG programs. That allows ITW Customers to work faster and add even more value.

Call us today to see how you can save time and money!



ITW BCG demonstrated our software's interconnectivity at the 2010 BCMA show.



ITW Building Components Group
800.521.9790 - www.itwbcg.com

For reader service, go to www.sbcmag.info/itw.htm