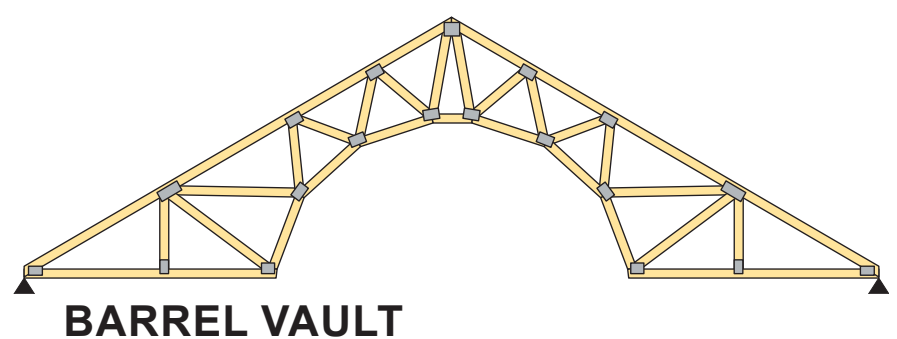
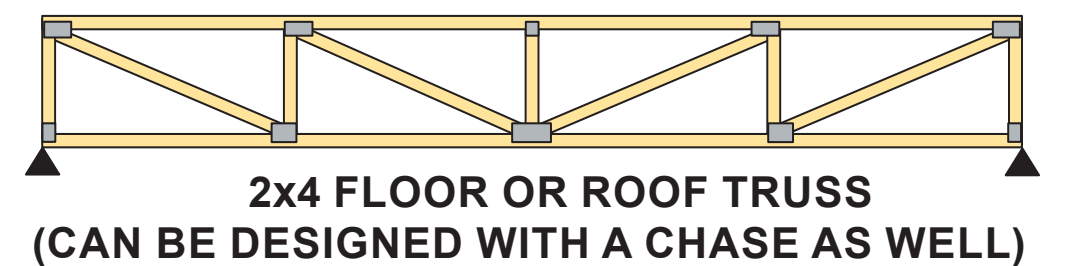
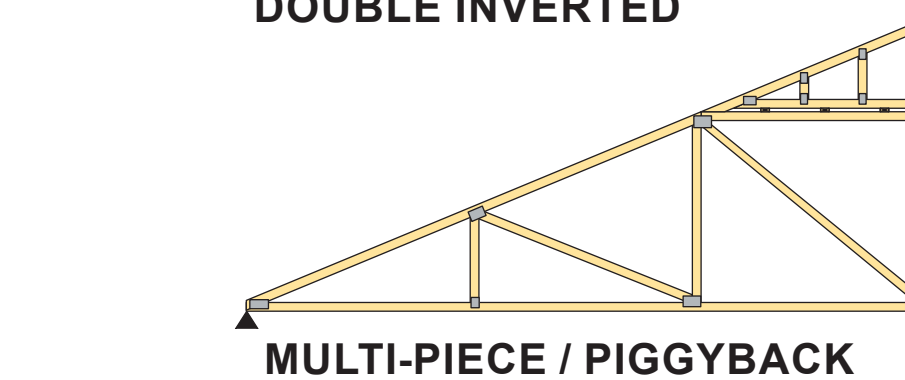
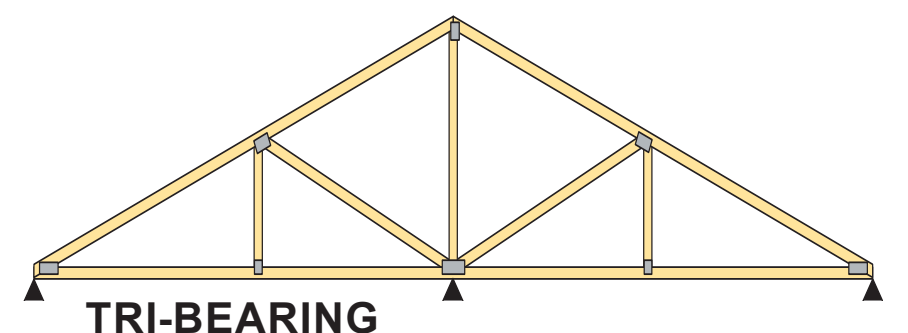
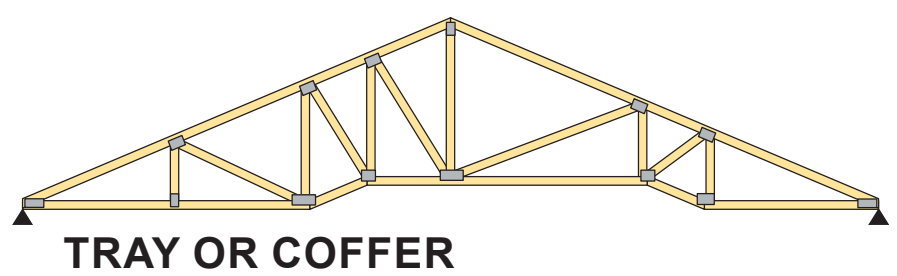
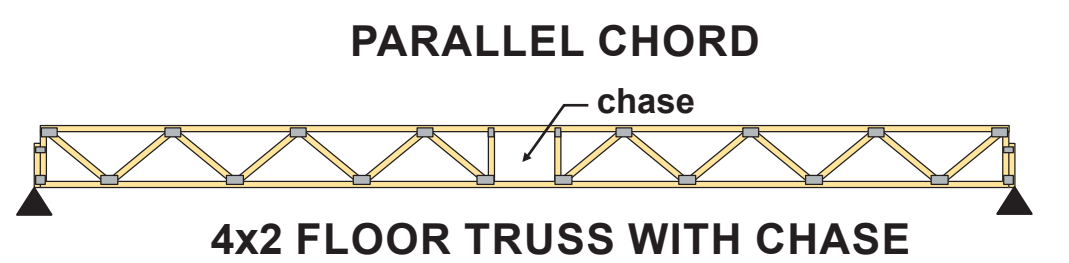
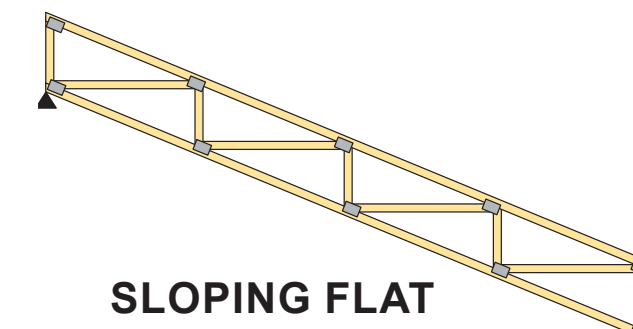
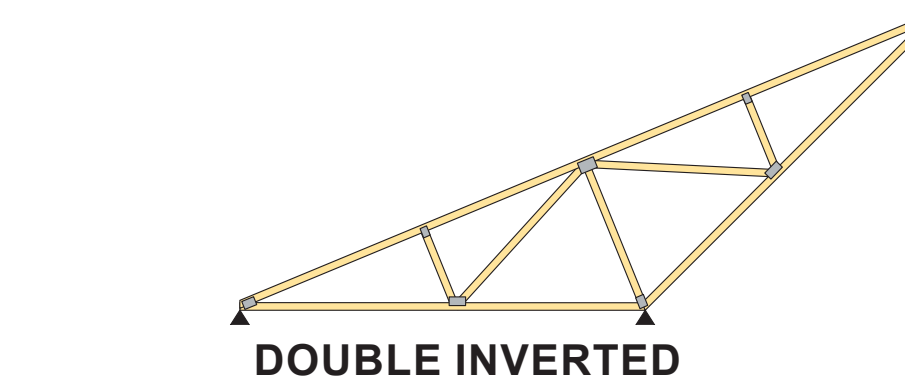
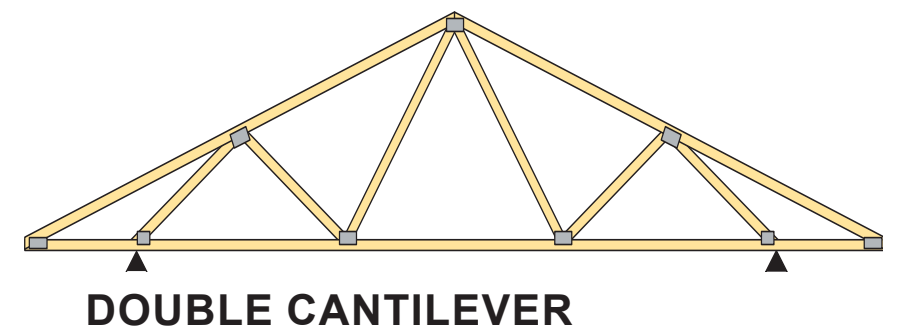
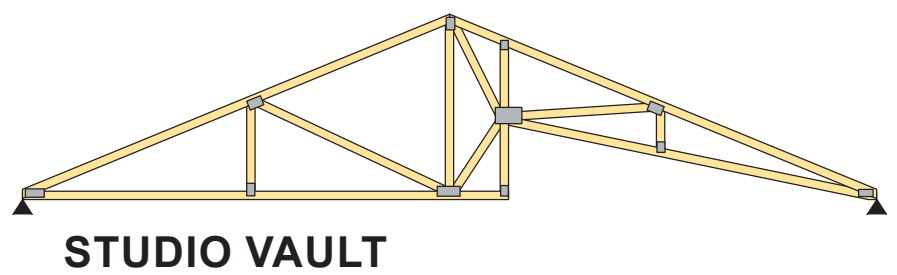
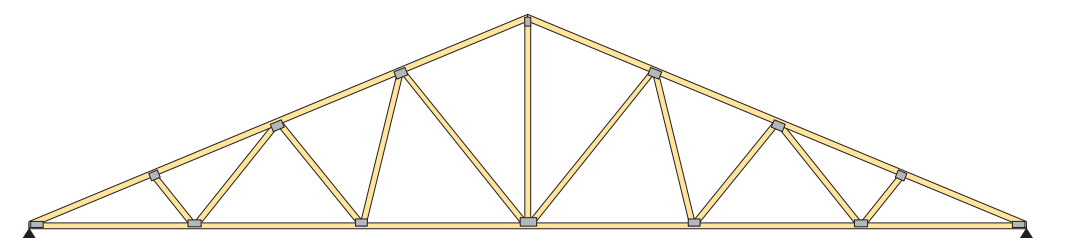
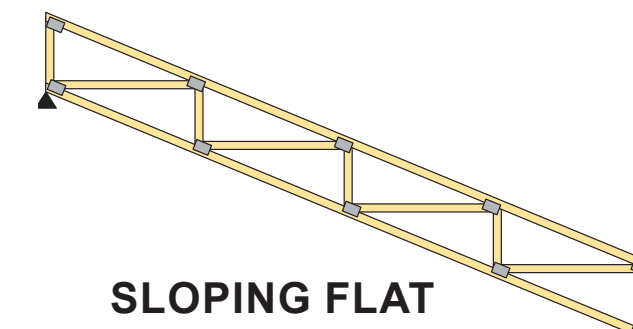
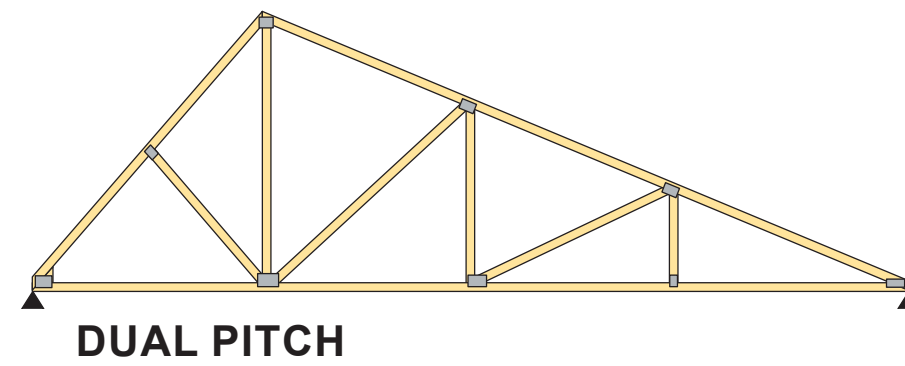
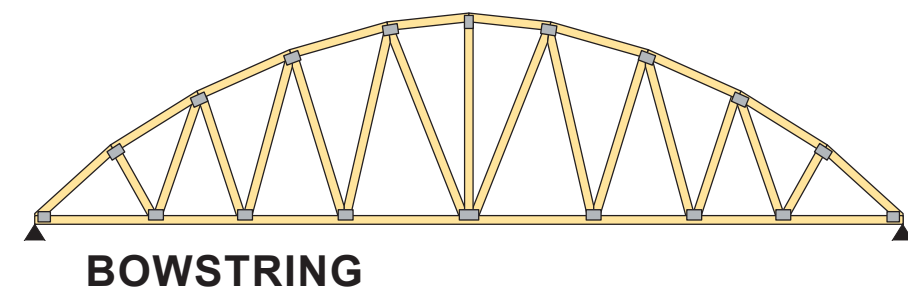
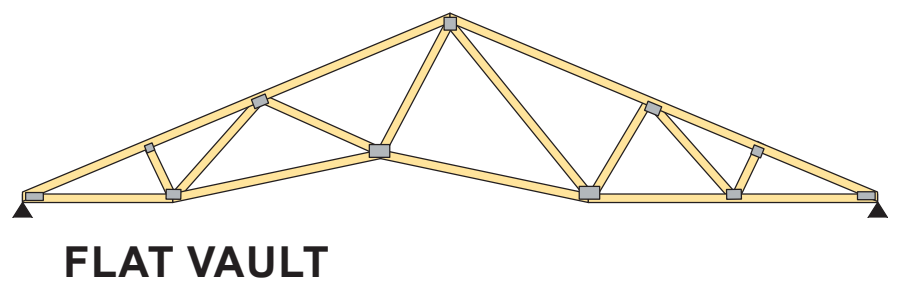
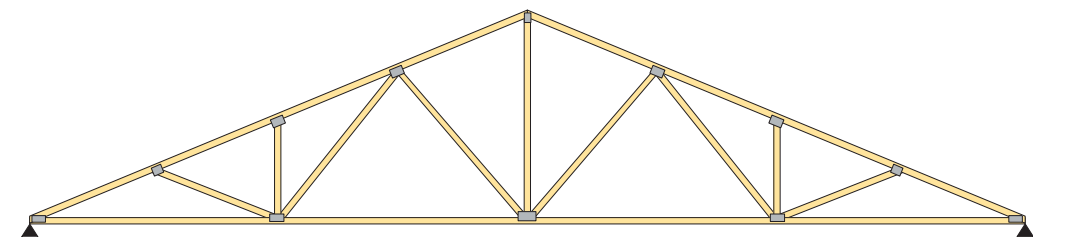
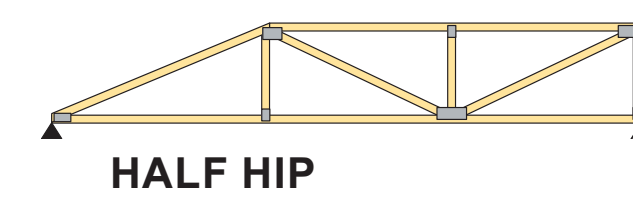
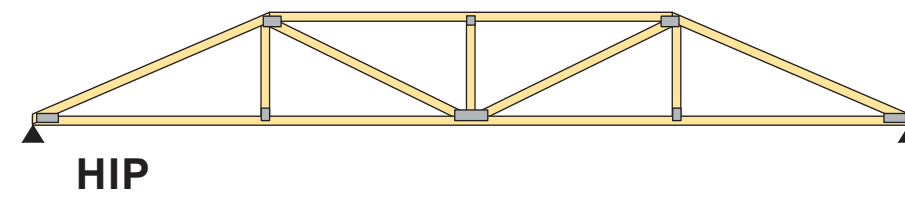
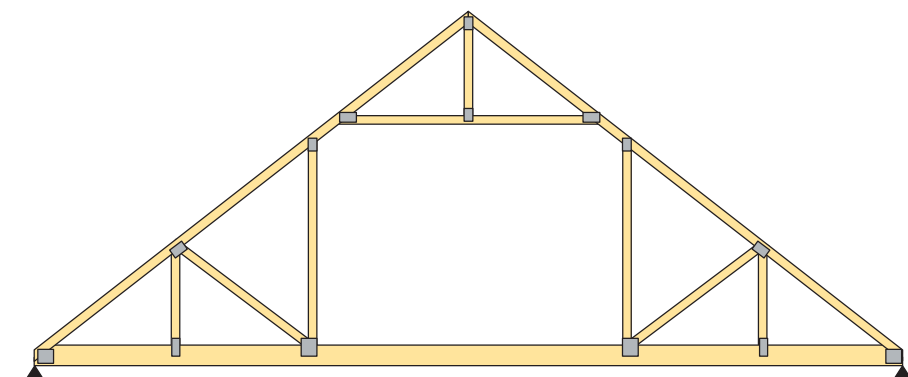
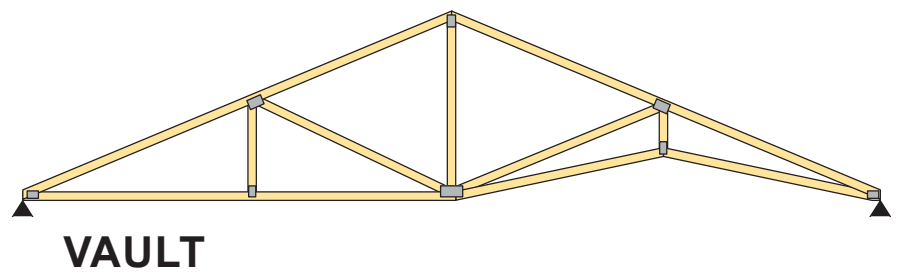
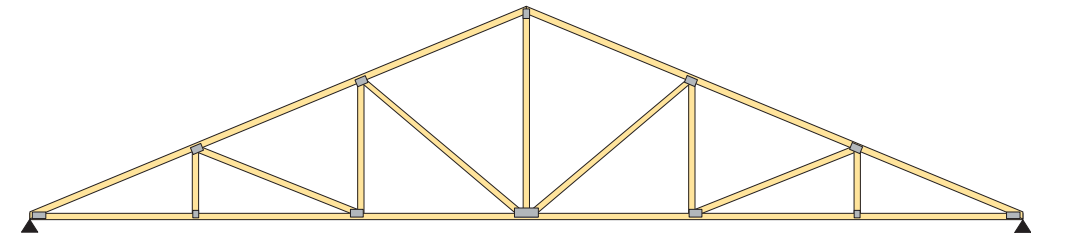
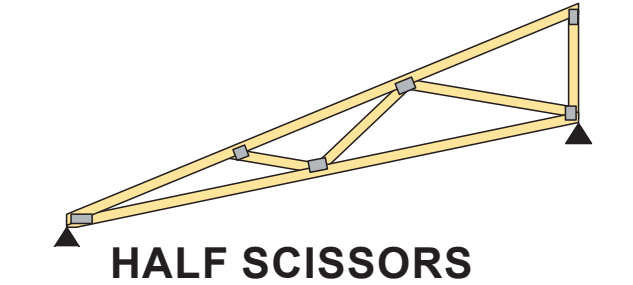
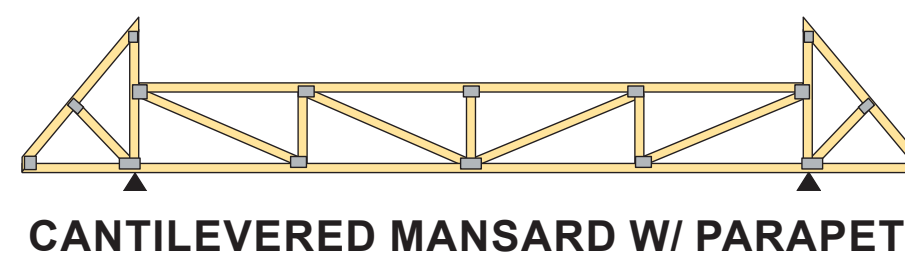
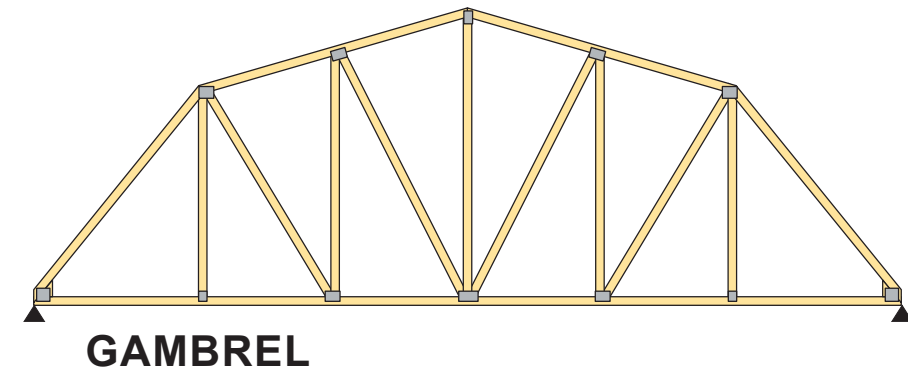
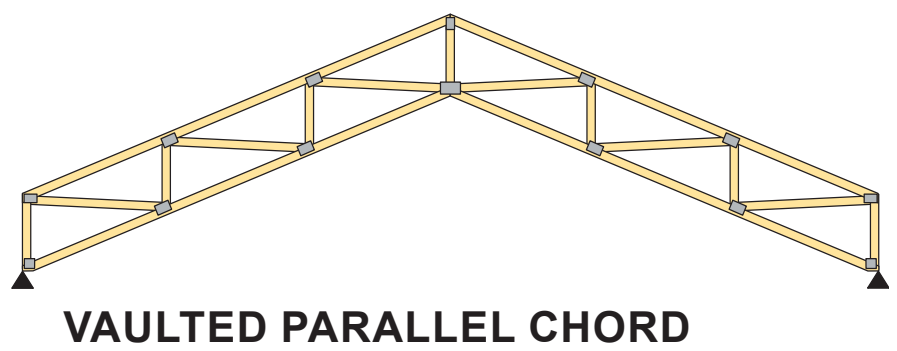
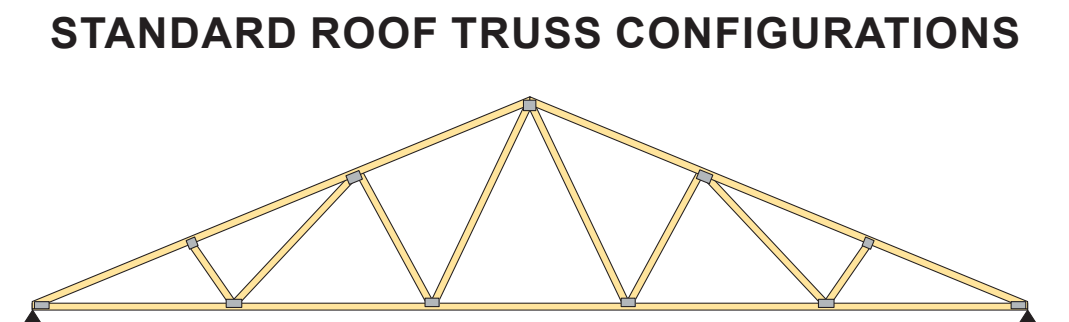
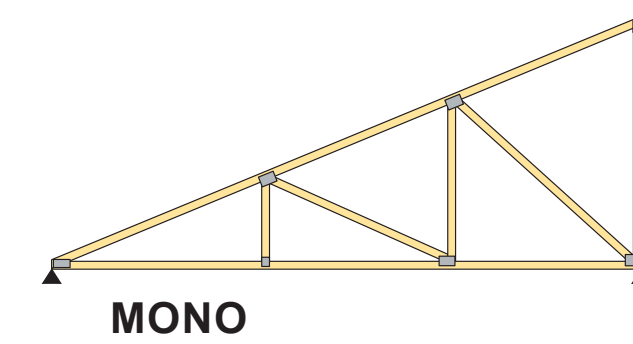
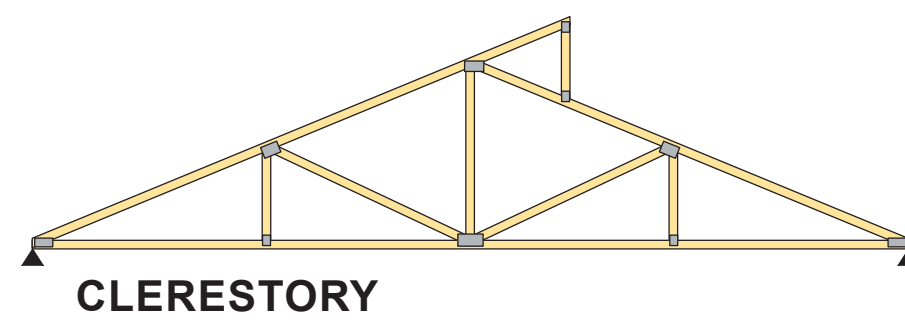
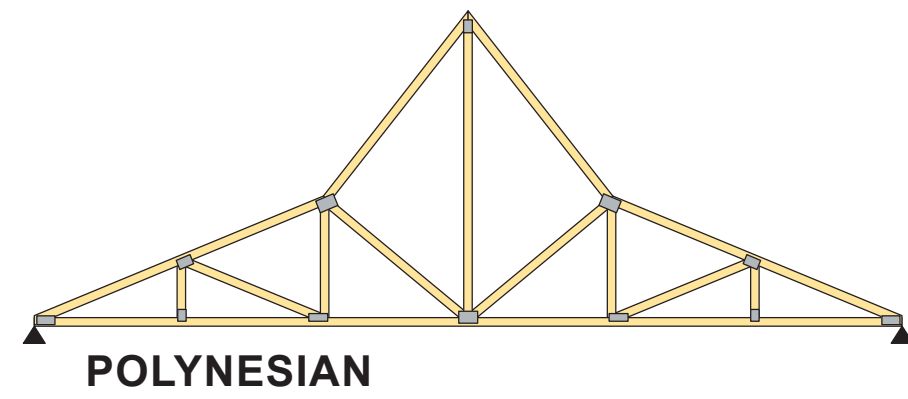
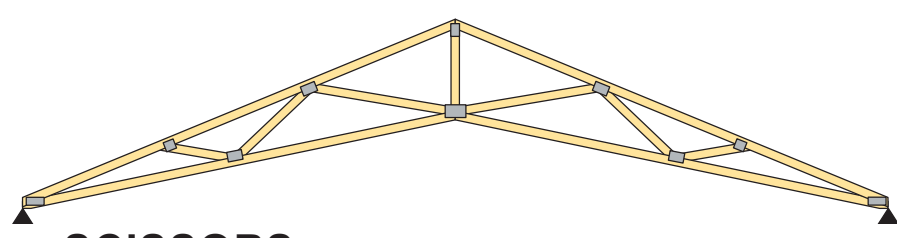
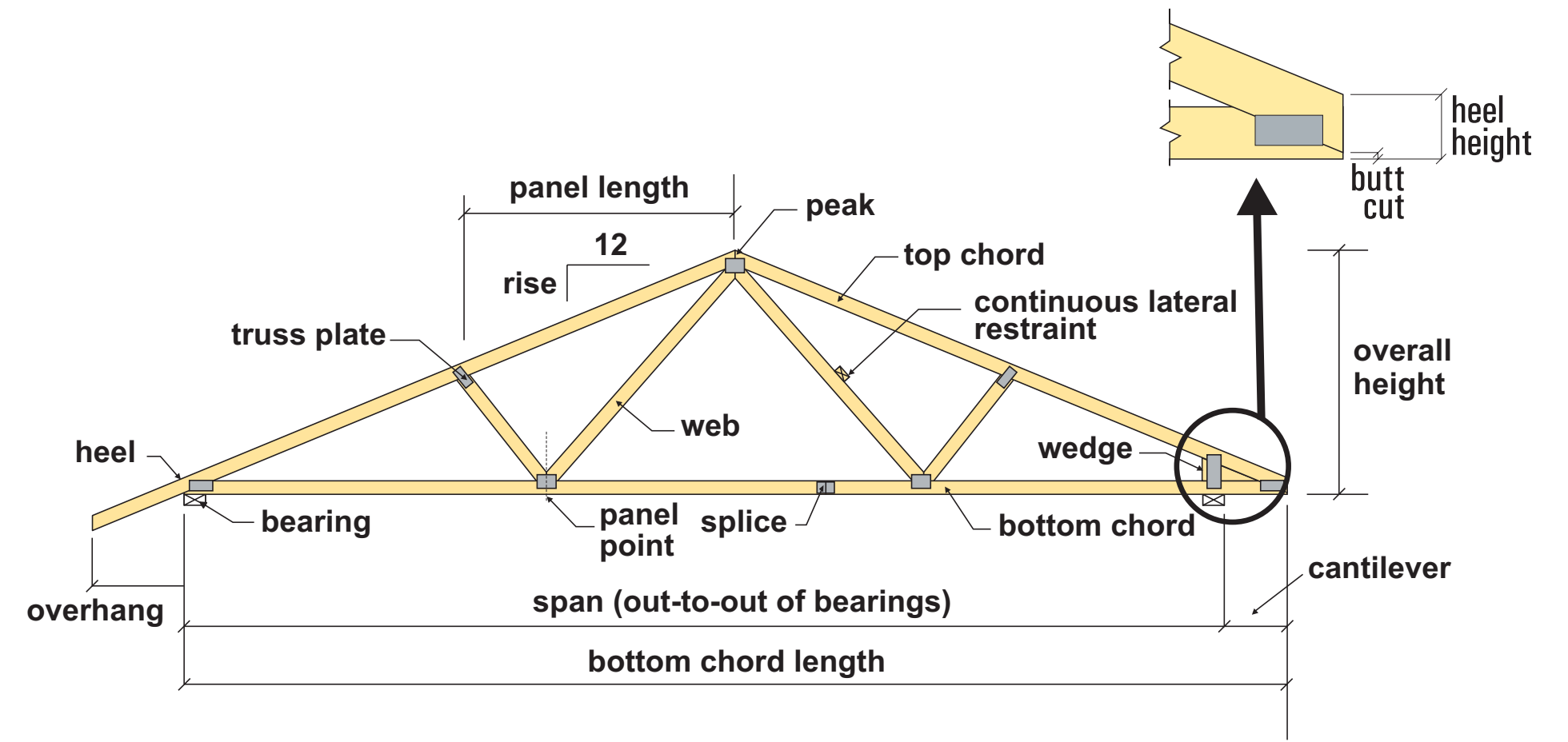


# TRUSS CONFIGURATIONS

The following examples represent only a small sampling of the many truss configurations being designed and built today.

*The only limitation is your imagination!*



**SBCA**<sup>TM</sup>  
Structural Building  
Components Association

2701 E. Grauwlyer Rd. Building 1, DPT#1026, Irving, TX 75061  
608/274-4849 • info@sbcacomponents.com  
www.sbcacomponents.com

©SBCA Structural Building Components Association.