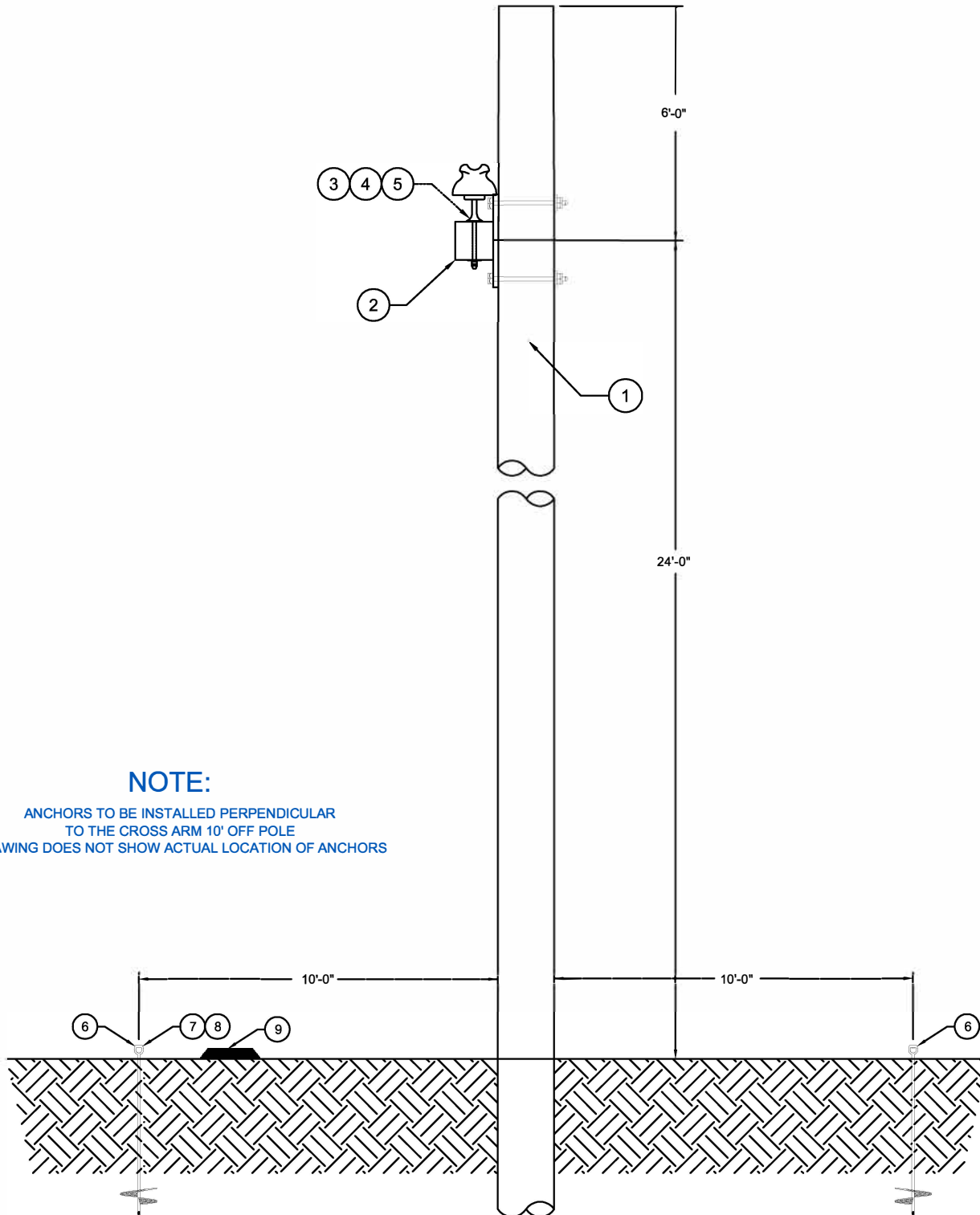


ITEM	No.	MATERIAL	ITEM	No.	MATERIAL
a	1	D.A. Bolt			
b	1	J - Hook			

**HURTMAN RESCUE**



**MINNESOTA RODEO**



**NOTE:**

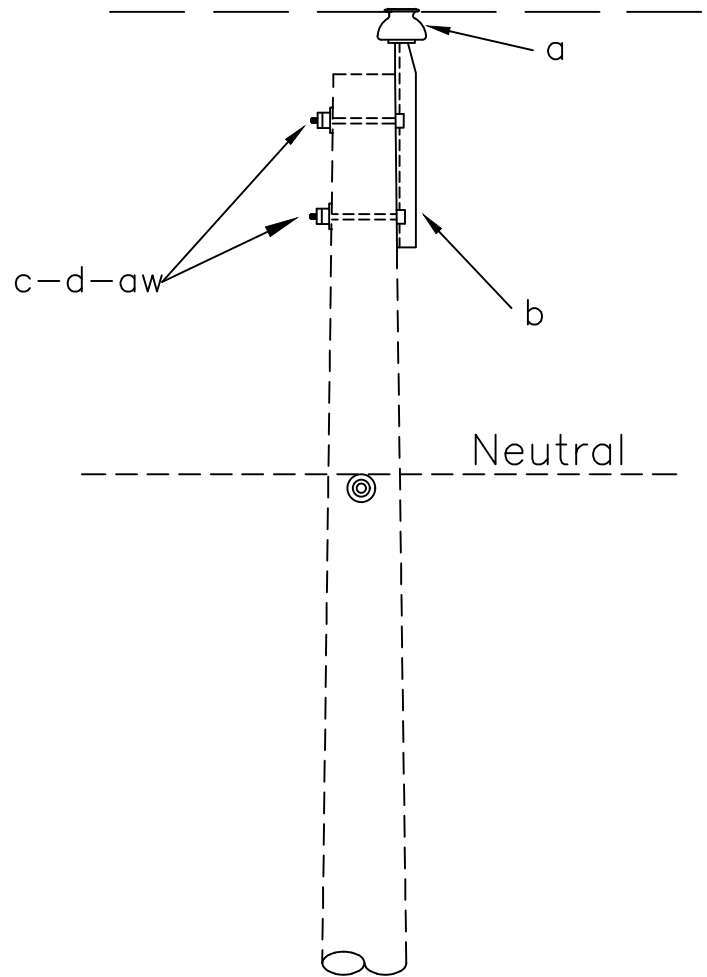
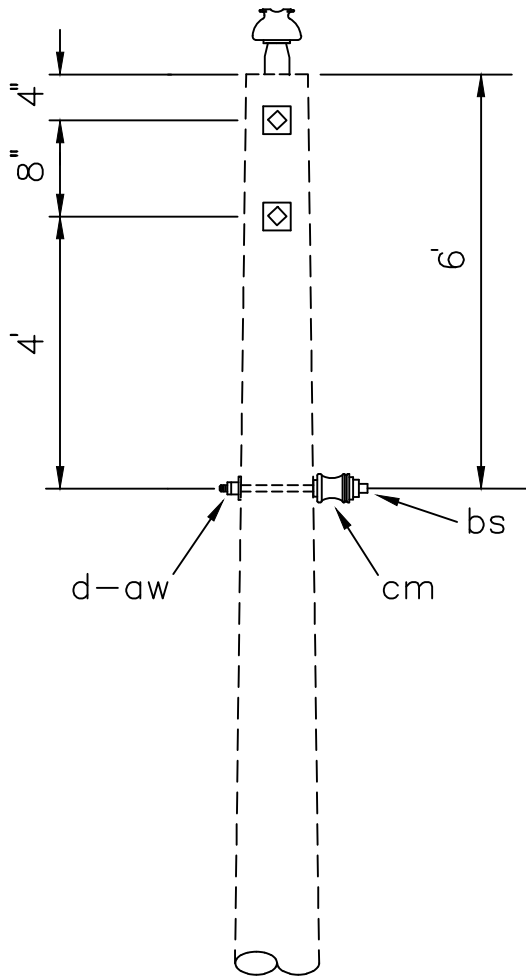
ANCHORS TO BE INSTALLED PERPENDICULAR  
TO THE CROSS ARM 10' OFF POLE  
DRAWING DOES NOT SHOW ACTUAL LOCATION OF ANCHORS

#	MATERIAL DESCRIPTION	QTY	VENDOR DESCRIPTION	#	MATERIAL DESCRIPTION	QTY	VENDOR DESCRIPTION
1	40' POLE	1		6	ANCHORS 6'	2	HUBBELL 10146
2	8' FIBERGLASS ARM	1	CROSSARM, PUI(TANGENT ASSEMBLY)	7	GUY WIRE 3/8" X 20' (PRE-ATTACHED)	1	NATIONAL STRAND 38GFEX7855C0500
3	MACHINE BOLT 5/8" X REQUIRED LENGTH	2		8	3/8" GUY PREFORM (PRE-ATTACHED)	1	PLP GDE1107
4	15 kV POLY INSULATOR	2	PLP IP-15-C	9	3/8" X 70' NYLON BRAIDED ROPE	1	
5	CROSSARM PINS	2	HUBBELL 883P				

3			
2			
1			
0			
REVISED	BY	APPR.	

**Rope Toss  
Minnesota Lineworkers Rodeo**





ITEM	MATERIAL	QTY
a	Insulator, pin type (12.47/7.2 kV)	1
b	Pin, pole top, 20"	1
c	Bolt, machine, 5/8" x req'd length	2
d	Washer, square 2 1/4"	3
bs	Bolt, single, upset	1
cm	Insulator, spool, 3"	1



Single Phase Equal Potential  
Grounding  
Minnesota Rodeo

1 - PHASE PRIMARY  
12.47/7.2 kV

A1.1 (A1)