



Reaching New Heights, Together



**METAL BUILDING
CONTRACTORS & ERECTORS
ASSOCIATION**

Quick Links

[Board of Directors](#)

[Member Directory](#)

[Members Only](#)

[Products & Services](#)

We want to hear from you!

Let us know what is important to you; what kinds of things you are interested in; what you need.

[Sasha Demyan](#), Executive Director
[David Leinbach](#), President
[Jackie Meiluta](#), Program Manager
[Britain Graver](#), Member Services & Administrative Coordinator

WELCOME NEW MEMBERS

Blue Llama Supply

Stacy Stevenson
70 North Short Road
Eagle, ID 83616
208-954-7042

stacys@bluellamasupply.com
www.bluellamasupply.com

Chrisanntha Construction Corp.

Zacharie Metcalfe
4661 Dewey Avenue
Stanley, NY 14561
(585)406-0428

zmetcalfe@chrisanntha.com
www.chrisanntha.com

FALK Panel Canada

Carla MacLeod
Tillsonburg, Ontario
CANADA N4G 5V6

Greetings!

Why You Can't Miss the MBCEA Annual Conference This Year



The Metal Building Contractors & Erectors Association (MBCEA) Annual Conference—now in its 57th year—returns **April 22–24, 2026**, hosted at the **Hotel Polaris in Colorado Springs, CO**. This premier gathering brings together contractors, erectors, manufacturers, and suppliers from across the nation for three high-impact days of learning, networking, and industry advancement.

A Premier Event for the Metal Building Industry

As the only national event dedicated solely to the Metal Building Assembly sector, the MBCEA Annual Conference offers unmatched access to the people, knowledge, and tools driving the future of the industry. The conference is held alongside the MBMA Spring Meeting, amplifying opportunities for collaboration and innovation across the entire metal building ecosystem.

Reasons You Should Attend

1. Unmatched Education & Leadership Opportunities

Attendees gain firsthand insights from leading experts on topics shaping construction today—AI in construction, digital transformation, sustainability, and economic trends specifically tailored for management and technical teams. These sessions deliver actionable knowledge you can take home and immediately apply to your business.

2. High-Value Networking That Truly Matters

From breakfasts and receptions to interactive roundtables, the event is designed to foster meaningful connections. You'll engage directly with peers, suppliers, MBCEA leaders, and MBMA members in a relaxed, engaging environment. These relationships often lead to new partnerships, problem-solving collaborations, and long-term business growth.

3. Access to Exclusive Sessions

The conference includes programming tailored for business owners, managers, and technical professionals. Whether you are looking to strengthen leadership skills, improve operational efficiency, or

616-541-4500

cmacleod@falkpanel.com

www.falk.com

Panelized Structures, Inc

Jose Ramos

5730 Stoddard Road

Modesto, CA 95356

(209)404-6021

jramos@panelized.com

www.panelized.com

ProSteel Buildings

Nathan Nifong

4922 Randall Parkway Suite 210

Wilmington, NC 28403

(866)384-2119 x102

nate@buildprosteel.com

www.buildprosteel.com

Systems West Construction

Sam Myers

1800 Presson Place

Yakima, WA 98903

509-452-5000

sam@systemswest.us

www.systemswest.org

WOLF CONSTRUCTION GROUP LLC

Edwar Martinez

12201 West North Avenue

SUITE 102B

Wauwatosa, WI 53226

312-838-6469

edmartinez@wolfmconstructionllc.com

www.wolfmke.com

explore new technologies, you'll find targeted sessions designed to elevate your capabilities and your company's performance.

4. Celebrate Excellence in the Industry

The MBCEA Conference also hosts significant industry recognitions, including:

- **MBCEA Building of the Year Awards**
- **MBMA Safety Awards**
- **Metal Construction Hall of Fame inductions**

These celebrations highlight the craftsmanship, safety achievements, and innovation moving the industry forward.

Final Thoughts: Invest in Your Success

The MBCEA Annual Conference is more than an event—it's an investment in your company's future. Whether you're a contractor, erector, supplier, or industry partner, attending ensures you stay aligned with industry trends, connected with peers, and equipped with the tools you need for success in a rapidly evolving market.

If you haven't already, make plans to join the industry's best in Colorado Springs this April. Opportunities like this don't come around often—and they're too valuable to miss.

David Leinbach

President, MBCEA

President, Kaiser-Martin Group

**GET SEALED AND
SUPPORTED WITH THE ONLY
ROOF CURB SYSTEM.**



Conference Attendee Registration Closes March 27

This is the premiere event for metal building contractors, erectors, manufacturers and suppliers. This year's conference will be a management-style retreat with more time for networking and management education. Field personnel focused sessions will resume next year. This conference is co-located with the MBMA Spring Meeting. [**Click here for the agenda, hotel information and to register.**](#) See who's coming on the [**MBCEA app!**](#)

Only 5 Exhibitor Booths Left!

Exhibiting at the MBCEA & MBMA Conference will enhance your visibility to decision-making attendees and industry professionals. Our attendees want to see and hear about what's new in our industry - products, tools, technology, etc. Review the [schedule](#), [exhibit hall diagram](#), and [register now](#)! Check out the profiles of the exhibitors already registered on the [MBCEA app](#)!

Pioneers Club Applications Now Being Accepted

Please [submit the name of a colleague or yourself](#) for selection into the MBCEA Pioneers Club.

The distinct purpose behind the creation of this important Pioneers Club is the association's determination to give credit and recognition to metal building contractors and erectors who have been such for at least 25 consecutive years.

Accepted applications will become a permanent part of the history of our industry. The celebrated people who are selected as members of the Pioneers Club will be asked to attend the 57th Annual MBCEA Conference to accept the prestigious award.

Thank you to our sponsors!

Conference sponsorship is now sold out. Thank you to everyone who has pledged their support!



Bay Insulation Systems Experience • Quality • Service
Member of the Bay Family of Companies

Introducing...
BAY RIDER™

Formerly the Owens Corning ELAMINATOR® Insulation System

Click here or scan the QR code to learn more!

www.BayInsulation.com

METALWALK

designcomponents.com | 800.868.9910

Next up in our free monthly webinar series, MBCEA Presents...

Metal Buildings, Tighter than Air

March 13, 2026

12 - 1 PM ET

“What gets measured gets managed” (Peter Drucker), and air leakage is officially being measured as more states adopt whole building air leakage testing requirements in the ASHRAE Standard 90.1 and IECC. Join the national MBCEA Presents for a free monthly webinar to hear how the MBMA, NAIMA, DASMA and MBCEA are preparing the metal building industry for what's here and what's next, to be tighter than air!

Sponsored by Envo Solutions



[Register Here](#)

Plan Now for April's MBCEA Presents...

Update from the National Insulation Association (NIA) – the voice of the insulation industry

April 16, 2026

12 - 1 PM ET

Save the date for the April monthly webinar, Update from the National Insulation Association (NIA) – the voice of the insulation industry!



2026 Metal Construction News Top Metal Builders

DEADLINE: Wednesday, March 18, 2026

Every year, **Metal Construction News** identifies the largest metal builders as measured by tonnage and square footage. We have two lists: top contractors and top erectors. The numbers keep growing and the competition keeps getting stronger. Make sure you get your entry in this year.

The results of the **Top Metal Builders** survey will be featured in the May 2026 edition of **Metal Construction News**. We welcome your input and insight.

[Click Here to Enter](#)

[View the 2025 Top Metal Builders](#)

America's Strongest Sub-Frame



CORLE
BUILDING SYSTEMS
Building Trust in Steel

"The Customer is the focus of everything we do."

No Building is Too Big or Too Small For Us!!

404 Sarah Furnace Rd., Imler PA 16655 | (814) 276-9611 | corle.com

Corle Building Systems is an IAS-accredited and CSA-certified manufacturer specializing in pre-engineered steel buildings.

Technical Corner: The Pitfalls of Base Conditions on Metal Buildings - Part 1

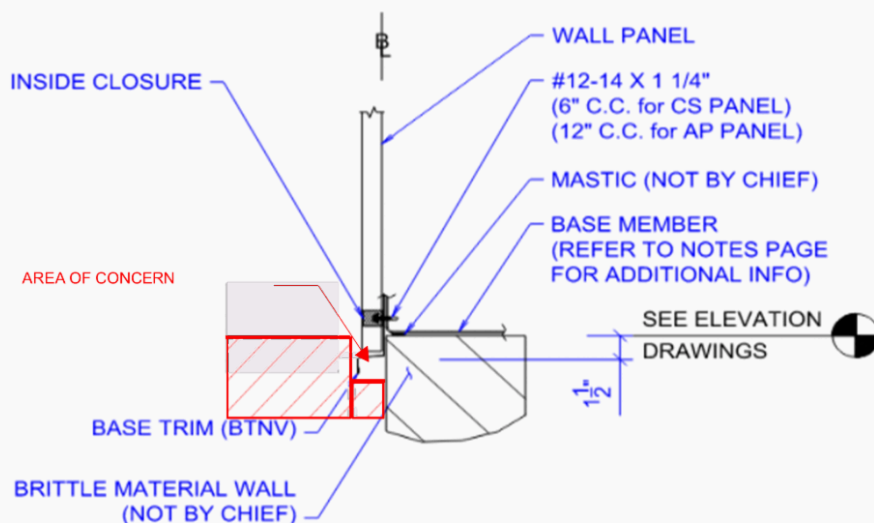
MBCEA Technical Committee Member, Tucker Cope, PE, M-Eng.

Whenever I hear the term "pitfall," I'm reminded of the 1980s video game where the hero swings over open alligator mouths, narrowly avoiding danger. While the base condition of a metal building may seem straightforward, it can present similar hidden hazards if not carefully addressed.

One common issue involves the need for a simple, minimal-height curb wall within the girt cavity. This detail is directly related to the final elevation of the perimeter siding, which typically extends 1½ inches below the base elevation. If the base elevation is set at finished floor height, the siding ends up extending below the finished floor. This becomes problematic at perimeter openings such as man doors or overhead doors. At these locations, a concrete pad is often poured tight against the building. When the siding extends below the slab, it can become encased in concrete, effectively trapping the metal in a "concrete pocket." Over time, this condition promotes moisture retention and leads to corrosion and premature failure at the base of the wall. Addressing this small detail during design and construction can help avoid a costly pitfall down the road.

Reference notes:

- Use 1/8" x 3/8" Blind Rivets 10'-0" C.C. to attach Base Trim to Base Member.
- Drill Ø1/8" hole for 1/8" x 3/8" Blind Rivets.
- Provide air gap of 1/4" min. at bottom of panel to avoid corrosion.



Y1

BASE TRIM (BTV)
BRITTLE MATERIAL WALL

Make Plans to Visit All our Conference Exhibitors!

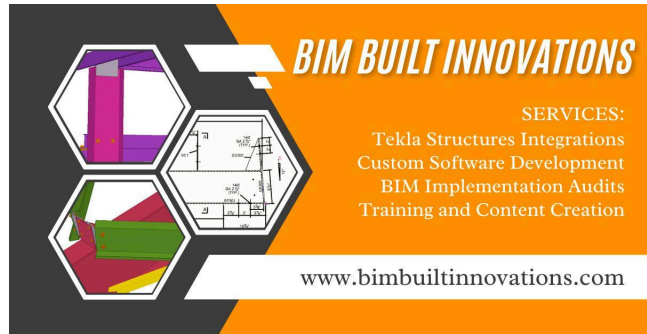
Ace Clamp - PMC Industries
All Weather Insulated Panels
Anchoright LLC
ATAS International, Inc.
Bay Insulation Systems
Betco, Inc.
Brucha Corp
C.H.I. Overhead Doors - a Nucor co.
Campana Building Consultants
Central States Building Works
ClearSpan Fabric Structures
D.I. Roof Seamers
Daystar LLC
Design Components, Inc.
Donovan Group
Dynamic Fastener
EXPI-DOOR Systems, Inc.
Falk Panel
Fieldwire by Hilti
Gaco
Global Building Products
Green Span Profiles
GWY LLC
Innovative Clean Energy LLC
International Accreditation Service
Iso Insulated Panels
Kingspan Insulated Panels
Konecranes, Inc.

MakoRabco
McElroy Metal
Metal Sales
Metallic Products Corp
Metl-Span
NORBEC Architectural
Nucor Buildings Group
OTH Pioneer Rigging
PermaTherm, Inc.
Plyco Corporation
Quick Veneer
Roof Curb Systems
Roof Hugger, LLC
R-Seal
S-5!
Silvercote A Service Partners Co.
SMARTBUILD
Standard Sheet Metal
Tell Doors
Thermal Design, Inc.
Therm-All Insulation
Trac-Rite Door
Triangle Fastener Corporation
VELUX Commercial North America
VP Buildings
Wood's Powr-Grip
Wurth Industry USA



**ONE PARTNER. EVERY SECTOR.
STRONGER RESULTS.**

SEE WHAT THE CMB BUILDER NETWORK CAN DO FOR YOU
WWW.CANADIANMETALBUILDINGS.COM/MBCEA-NEWSLETTER



BIM BUILT INNOVATIONS

SERVICES:
Tekla Structures Integrations
Custom Software Development
BIM Implementation Audits
Training and Content Creation

www.bimbuiltinnovations.com

AC478 - MEMBER SPOTLIGHT

Reaching New Heights, Together



METAL BUILDING
CONTRACTORS & ERECTORS
ASSOCIATION

What benefits has your company experienced due to the AC478 process and accreditation?



“AC478 helps you to constantly monitor, evaluate, improve, and document your quality, safety and training protocols and procedures. As a result of our AC478 accreditation, we have seen a renewed focus and attention in the three critical areas of quality, safety and training.”

–Steven Hudgins, LEED AP, Rainwater Construction Company



Learn more about AC478 Accreditation at mbcea.org

Have questions about AC478? Contact [Jackie Meiluta](#) Check out the [AC478 section](#) of the [Members Only area](#) of the MBCEA website. Hear from your peers on the [MBCEA YouTube channel](#).

PROVE YOUR QUALITY WITH ACCREDITATION

Intro to AC478
Tuesday, March 17, 2026 - 4 pm ET

Join Jackie Meiluta for a deeper dive into how to get started with AC478 Accreditation.

[Register Here](#)

AC478 Roundtable
Thursday, May 14, 2026 - 2 pm ET

Please join us for an informative roundtable on our signature Quality initiative - AC478. Topic to be determined. If you are interested in this powerful quality initiative, please visit the [Members](#)

[Only](#) area of the MBCEA website for everything you need to know. Introductory information, especially for non-MBCEA members can be found on our [public Accreditation page](#).

Register Here



CRANE TEC Design. Manage. Install.
For all of your overhead crane needs.
crane-tec.com
Visit our site for equipment, services and project gallery.
For immediate results call
1-800-755-6378



D.I. ROOF SEAMERS
diroofseamers.com | 1-888-343-0456

Our equipment can seam
-any panel
-any seam type
-any manufacturer

With over 30 years experience,
we have the knowledge and
expertise to make sure you get
the right seam, everytime!

-Easy to order!
-Unmatched customer service!
-Technical help available 7
days a week!

MBCEA Chapter News

Greater Ohio Chapter

A great evening with the MBCEA Greater Ohio Chapter at Urban Meyer's Pint House in Dublin. The food was excellent, the cold beverages were flowing, and the staff did a fantastic job taking care of our group.

More importantly, it was a great opportunity to catch up with industry peers and have some meaningful conversations about the current state of the construction market and what everyone is seeing across their local regions. Events like this are always a good reminder of how valuable it is to step away from the day-to-day grind and connect with others in the industry.

We plan to make this an annual gathering, so if you couldn't attend this year, please be sure to carve out some time next year.

Next Event:

 May 14, 2026 |  Blackwing Shooting Center – Delaware, OH

Stay tuned for additional details.

Mid-Atlantic Chapter

On February 12, 2026, members of the MBCEA Mid-Atlantic Chapter had the opportunity to visit the All Weather Insulated Panels facility in East Stroudsburg, Pennsylvania. Our group was warmly welcomed by Aidan Morris, Karen Murphy, and Aliyah Williams, who graciously hosted the visit and shared their time and expertise with our members.

Attendees were provided with a comprehensive overview of All Weather's product line, along with insight into several upcoming product enhancements. The presentation offered valuable perspective on AWIP's capabilities and ongoing product development efforts.

Following the classroom session, the group was invited on a detailed tour of the facility. Members were able to observe the full manufacturing process, including raw material intake, panel

production, custom trim fabrication, packaging, and final shipping operations.

The MBCEA Mid-Atlantic Chapter extends its sincere appreciation to Aidan, Karen, and Aliyah for their hospitality and for providing such an informative and engaging experience for our members.

For additional information about All Weather Insulated Panels and their products, please visit: www.awip.com

MBCEA Mid-Atlantic Adult & Child CPR with Basic First Aid

Where: ATAS International, 6612 Snowdrift Rd, Allentown, PA 18106

When: March 20th, 2026 from 8:30am - 4:30pm

This is a classroom, video based, instructor led course that teaches skills such as how to treat bleeding, sprains, broken bones, shock and other first aid emergencies, adult and child CPR & AED use, as well as how to relieve choking in an adult. This course will meet job, regulatory or other requirements.

All participants will be issued an educational guide card and will be emailed an e-certification card to their individual email address.

Participants will need to accept the card from their own email in order to give it to their employer. There are no paper, physical cards issued.

ATAS is providing coffee & continental breakfast items in the morning, and the MBCEA will be providing lunch around noon.

[Register Here](#)

New England Chapter

2026 MBCEA NEC Scholarship application is now open.

[Apply Here](#)

Save the Date! The 35th Annual New England Chapter Golf Tournament will be held on **7/23/26** at Waverly Oaks Golf Club in Plymouth, MA. Sponsorship Registration and Golf Entry Forms will be going out at the end of the month.

Ontario Chapter

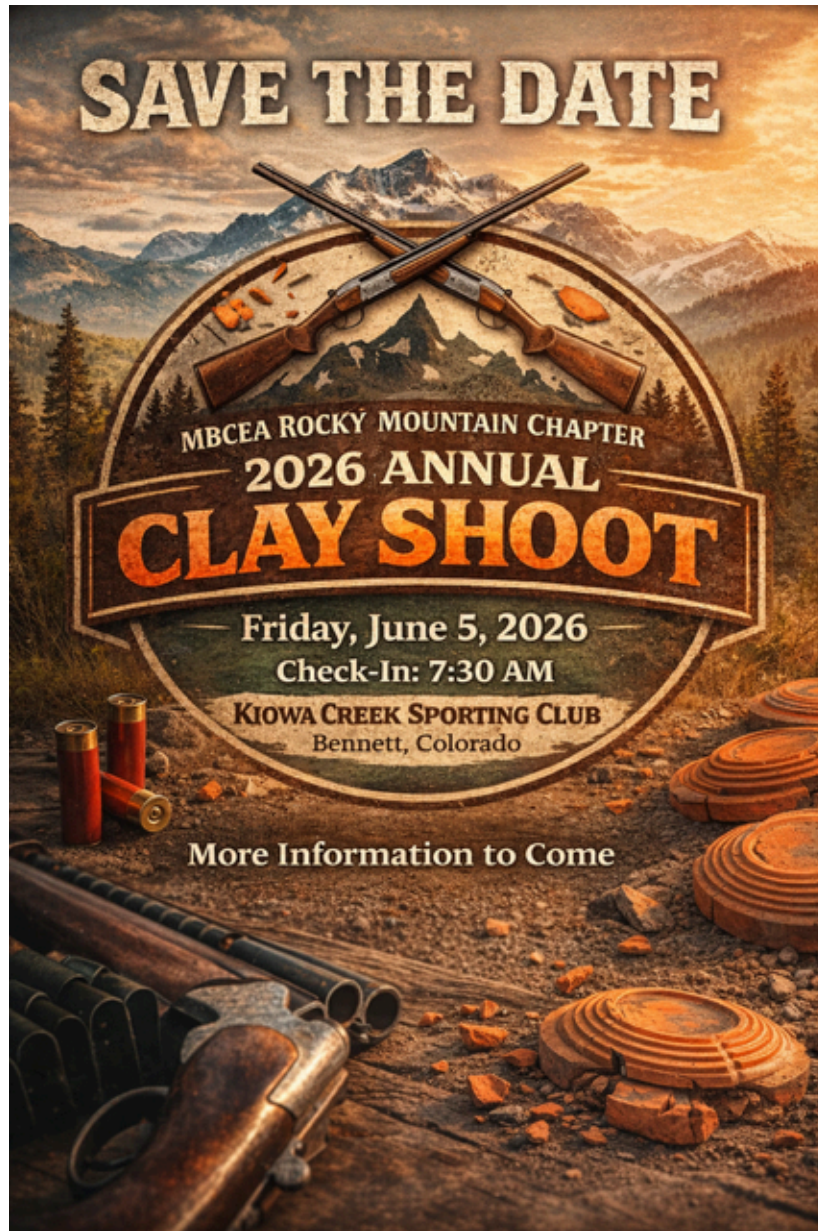
The MBCEA Ontario Chapter held a successful Q1 meeting in Woodbridge, Ontario, with 45 participants in attendance. A big thank you to our meeting sponsor, Kingspan Insulated Metal Panels, for their support.

Committee leaders provided updates on their current initiatives and ongoing projects. Our keynote speaker, Joel Grace, P.Eng., from Robertson Building Systems, delivered an informative presentation on metal building systems and explained how bracing works within these structures.

We are also pleased to announce that we have secured the venue and deposit for our first Annual Golf Tournament, which will be held on June 15, 2026, at Blue Springs Golf Club in Acton, Ontario. Additional details will be shared soon with our members, distributed through our contact directory, and posted on our LinkedIn page. Our Q2 chapter meeting will also take place during the June 15 event.

Our membership continues to grow, and we encourage all members to help spread the word about the association to industry partners, customers, and erectors.

Rocky Mountain Chapter



Carolinas Chapter

While the Summer Meeting is still several months away, we are continuing to make plans for this much anticipated and enjoyed event. Please mark your calendars for **June 18-21** and make plans to join us. Make note the agenda linked below for the meeting this year has changed from years past. Also, links for Sponsorship and hotel reservation are below. Hotels must be reserved by end of day on **Friday, May 8th, 2026**.

If you have any questions, please email Joyce at carolinas@mbcea.org. Anyone with questions regarding sponsoring, please email Reggie at rmoore@brentongrey.com. Registrations for sponsors should reach out to Joyce at the email above. We greatly appreciate your support of this event.

[Click Here to Register](#)

[Click Here to Sponsor](#)

[View the Agenda](#)

CLIPS & ACCESSORIES

We manufacture and supply roof clips and accessories.



PROVEN Metal Roof RETROFIT SOLUTIONS

Sub-framing systems to fit over any existing metal roof
Schedule more jobs with our prompt fabrication and shipping
Install without disrupting the building occupants



METAL BUILDINGS INSTITUTE™

The Metal Buildings Institute is the only place for training and information exclusive to the Metal Buildings Industry. Visit us on the web at www.metal-buildings-institute.org.

MBCEA members receive free access to the Quality & Craftsmanship 101 11-module video series, \$200 off the annual subscription to the 102 IMP and 201 Retrofit Roofing Modules, and \$150 off the Guidelines for Temporary Bracing. The discount code can be found on our [Training page](#).

Every contractor and erector should have a copy of the guidelines and access the training!

In the News / Member Spotlight

[PRx Performance Architectural Folio is Now Available](#)

[MCA Releases 2025 Annual Report](#)

[TBS Launches as Parent Holding Company - Uniting Industry Leaders Under One Powerful Vision for Growth](#)

[MBMA Announces 2025 Student Design Competition Award Winners](#)

[Lefever Building Systems Announces Presidential Leadership Transition](#)

Spring is the time of plans and projects - Leo Tolstoy

MBCEA | PO Box 3429 | Bethlehem, PA 18017 US

[Unsubscribe](#) | [Update Profile](#) | [Constant Contact Data Notice](#)



Try email marketing for free today!