

PROFOLIO™

AMERICAN WOODMARK



HAMPTON BAY

Shaker Satin White and Dove Gray



HAMPTON BAY

DESIGNER SERIES

Melvorn Storm Gray and
Edgeley White with Soleste Spice



American
WOODMARK PRO

San Mateo Painted Navy
and Painted Vanilla with Maple Rye

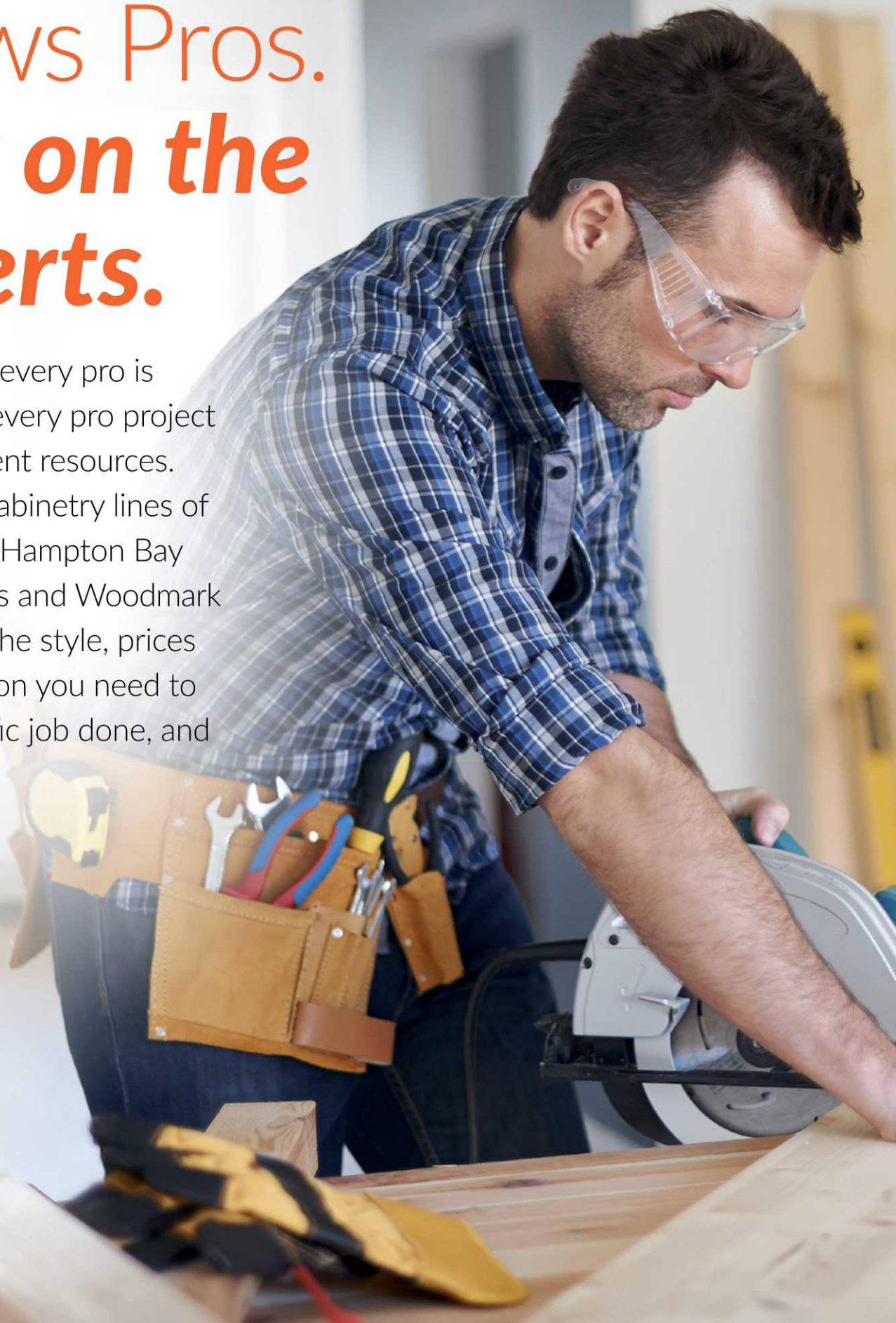
Your complete cabinet solution.



July 2023

Woodmark knows Pros. ***Rely on the experts.***

We know that every pro is different, and every pro project requires different resources. Our versatile cabinetry lines of Hampton Bay, Hampton Bay Designer Series and Woodmark PRO give you the style, prices and construction you need to get your specific job done, and done right.





We also know that two of the most important criteria for you when buying are everyday low prices that do not depend on limited promotions and timing. You know a good deal when you see one, which is why our **PROFOLIO™** program offers one of the best—including a complete line of offerings at exclusive everyday low prices and options for easy delivery.

Features of our **PROFOLIO** program:

- Plywood construction available in Woodmark PRO®
- A guaranteed deliver-by date with Woodmark PRO XPRESS™
- Jobsite delivery
- Volume discounts available
- Best-in-class service

Learn more about American Woodmark **PROFOLIO**, Home Depot's Complete Cabinet Solution at woodmarkcabinetry.com/pros



Hampton Bay Collections

Shaker



Satin White RTF
• Full overlay



Dove Gray RTF
• Full overlay



Brindle
• Full overlay



Java
• Full overlay

Hampton



Satin White RTF
• Full overlay



Natural Hickory
• Partial overlay



Medium Oak
• Partial overlay

Unfinished

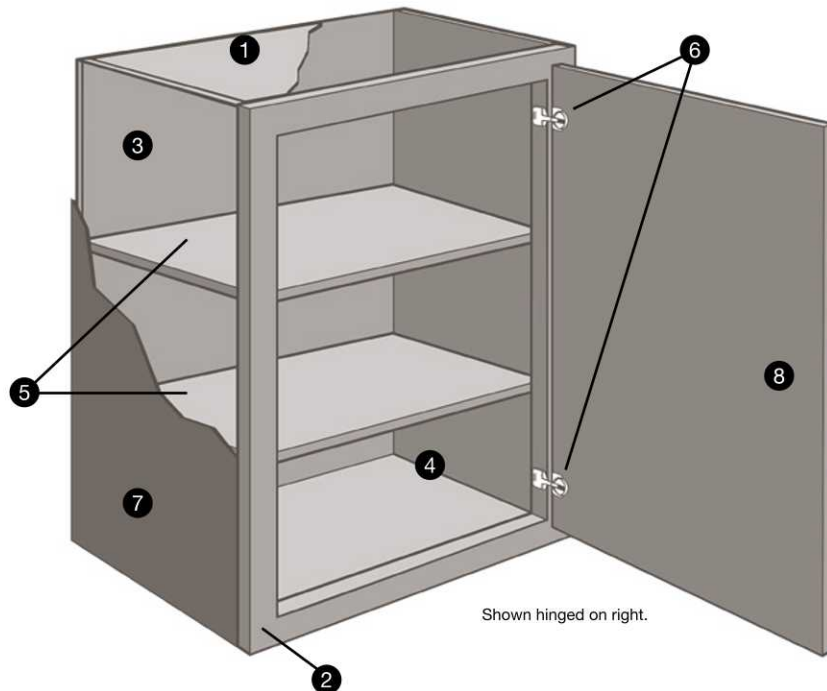


Unfinished
• Partial overlay



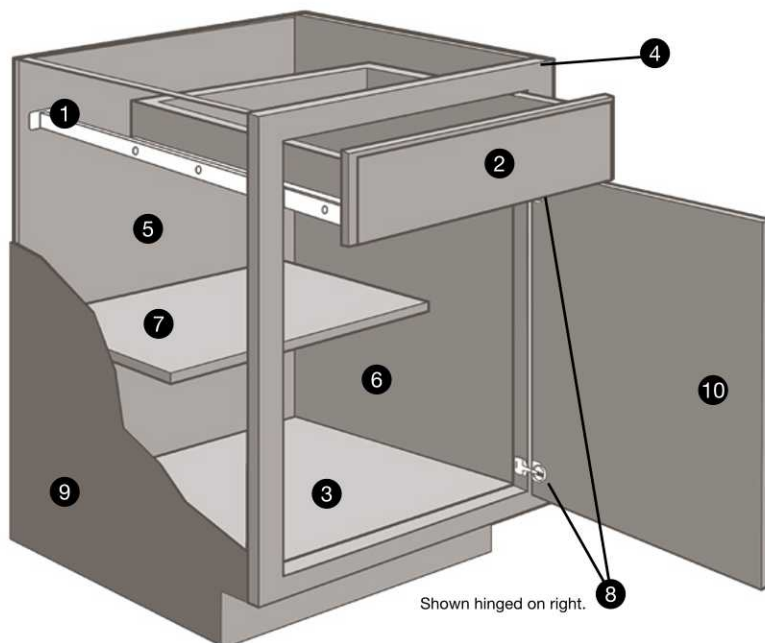
Learn more about Hampton Bay cabinets at hamptonbaykitchens.com

Hampton Bay Construction



Wall Cabinets

- ❶ **Top/Bottom Panels:** 3/8" engineered wood fully encapsulated in the face frame, back and side panels.
- ❷ **Face Frame:** Pocket screw construction with 3/4" thick, 1½" wide material.
- ❸ **Back Panel:** Full 3/8" back panel fully encapsulated into top and bottom panels for strength.
- ❹ **Interiors:** Natural maple laminate finish on engineered wood.
- ❺ **Shelves:** 3/4" thick adjustable shelves with metal shelf pins.
- ❻ **Hinges:** Fully concealed and adjustable.
- ❼ **End Panels:** Finished cabinetry – 1/2" engineered wood with laminated exterior to match cabinet finish. Unfinished cabinetry – 1/2" engineered wood with raw exterior.
- ❽ **Door:** Reversible door on single-door cabinets for left or right opening. Hinged on the left from the factory. Double door cabinets are full-access, no center stile.



Base Cabinets

- ❶ **Drawer Glides:** Finished cabinetry – Ball-Bearing
Unfinished cabinetry – Epoxy.
- ❷ **Drawer Box:** Hardwood 4-sided drawer box with fully encapsulated bottom panel.
- ❸ **Bottom Panels:** 3/8" engineered wood fully encapsulated in the face frame, back and side panels.
- ❹ **Face Frame:** Pocket screw construction with 3/4" thick, 1½" wide material.
- ❺ **Back Panel:** Full 3/8" hardboard with a natural maple laminate interior. Sink bases must be cut for plumbing access.
- ❻ **Interiors:** Natural maple laminate finish on engineered wood.
- ❼ **Shelf:** 3/4" thick adjustable half-depth shelf.
- ❽ **Hinges:** Fully concealed and adjustable.
- ❹ **End Panels:** Finished cabinetry – 1/2" engineered wood with laminated exterior to match cabinet finish. Unfinished cabinetry – 1/2" engineered wood with raw exterior.
- ❽ **Door:** Reversible door on single-door cabinets for left or right opening. Hinged on the left from the factory. Double door cabinets are full-access, no center stile.

Hampton Bay Designer Series Collections

Melvern



White RTF



Heron Gray RTF



Storm Gray RTF

Elgin



White RTF



Heron Gray RTF

Edgeley



White RTF



Glacier RTF



Driftwood RTF



Thunder RTF

Soleste



Spice

Hampton Bay Designer Series Accessories



Standard Brushed Nickel Knob
AHK1-BN



Gallery Brushed Nickel Pull
AHP13.5-BN
AHP13.12-BN



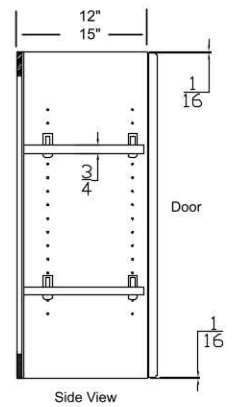
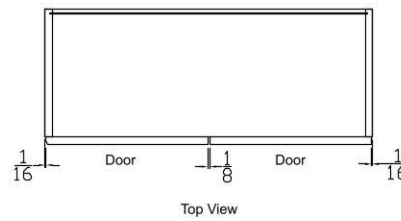
Square Brushed Nickel Pull
AHP14-BN

Hampton Bay Designer Series Construction

Wall Cabinets

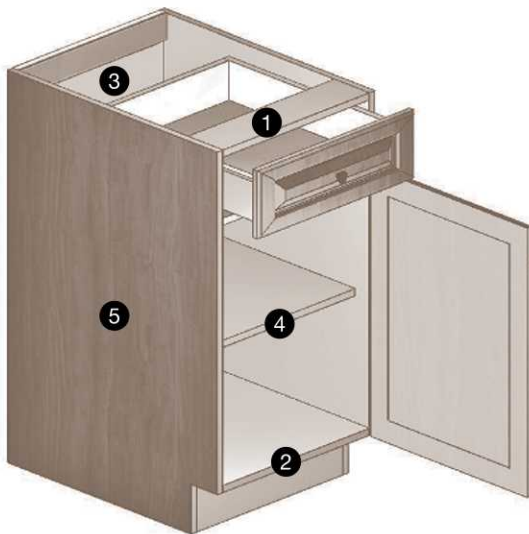


- ❶ **Top/Bottom Panels:** 3/4" laminated furniture board.
- ❷ **Back Panel:** 1/4" laminated furniture board with 4" x 1/2" concealed furniture board mounting rails top and bottom. Cabinets 36" and wider will be drilled for center shelf supports.
- ❸ **Shelves:** Fully adjustable 3/4" laminated furniture board. Cabinets 21" tall and shorter do not include adjustable shelves. Cabinets 24" tall include one shelf and two hinges. Cabinets 30" and 36" tall include two adjustable shelves and two hinges. Cabinets 42" tall include three adjustable shelves and three hinges.
- ❹ **End Panels:** 5/8" laminated furniture board.

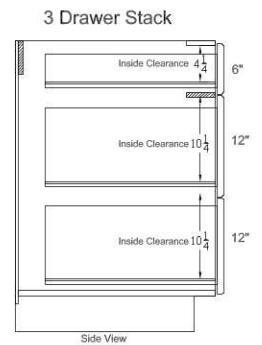
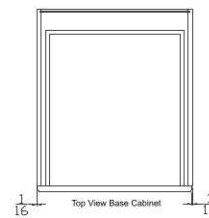
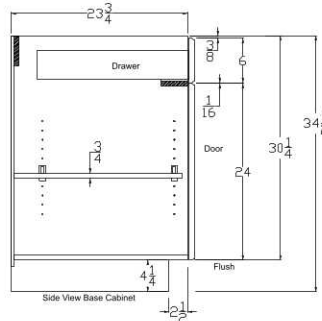


Note: Any cabinet with a matching interior will be constructed (top, bottom, back, shelves and sides) from 5/8" material.

Base Cabinets



- ❶ **Top Panel:** 5/8" plywood rails.
- ❷ **Bottom Panel:** 5/8" laminated furniture board.
- ❸ **Back Panel:** 1/4" laminated furniture board with 4" x 5/8" plywood mounting rail.
- ❹ **Shelf:** Fully adjustable 3/4" laminated furniture board.
- ❺ **End Panels:** 5/8" laminated furniture board.



SCAN ME

Learn more about Hampton Bay Designer Series at hamptonbaykitchens.com

Woodmark PRO Collections

Savannah®



- Full overlay mitered
- Raised panel*

Portola®



- Full overlay
- Raised panel*

Westerly



- Full overlay
- Raised panel*

MacArthur®



- Full overlay mitered
- Recessed panel*

Brookland®



- Full overlay mitered
- Recessed panel*

Adelaide



- Full overlay
- Recessed panel*

Garner™



- Full overlay mitered
- Recessed panel*

Woodmark PRO New Accessories

Trillion Knobs & Pulls

Polished Chrome



PULL 0875PC



KNOB 0876PC

Satin Nickel



PULL 0875SN



KNOB 0876SN

Vintage Nickel



PULL 0875VN



KNOB 0876VN

Matte Black



PULL 0875MB



KNOB 0876MB

Modern Brushed Gold



PULL 0875MG



KNOB 0876MG

T-Bar Pulls

Matte Black



12" PULL 4730MB



8" PULL 4712MB



5 1/4" PULL 4701MB

Reading®



- Full overlay, with 3" frame
- Recessed Shaker panel*

Leesburg®



- Full overlay, with 2-1/4" frame
- Recessed Shaker panel*

San Mateo®



- Partial overlay
- Recessed Shaker panel

Shorebrook®



- Full overlay
- Recessed beadboard panel*

Hanover®



- Full overlay
- Slab veneer panel with solid wood edge banding

Glen Ellen®



- Partial overlay mitered
- Recessed panel
- Only available in Duraform

*Painted finishes may blend engineered and natural materials for a more consistent product.

Bow Pulls 6 1/8"

Brushed Copper



PULL 3128CP

Matte Black



PULL 3128MB

Modern Brushed Gold



PULL 3128MG

Polished Chrome



PULL 3128PC

Satin Nickel



PULL 3128SN

See the full collection of Woodmark PRO decorative hardware at woodmarkcabinetry.com/products/organization-and-accents/knobs-pulls-accents



Woodmark PRO Finishes

PAINTED

LINEN PEWTER GLAZE VANILLA BISCOTTI GLAZE HARBOR EMBER GLAZE STONE BOULDER SAGE MIST NEW! NAVY BLACK

	LINEN	PEWTER GLAZE	VANILLA	BISCOTTI GLAZE	HARBOR	EMBER GLAZE	STONE	BOULDER	SAGE	MIST NEW!	NAVY	BLACK
Savannah®												
Portola®												
Westerly®												
MacArthur®												
Brookland®												
Adelaide®												
Garner®												
Reading®												
Leesburg®												
San Mateo®												
Shorebrook®												
Hanover®												

Glen Ellen®



Learn more about Woodmark PRO cabinetry at woodmarkcabinetry.com/pros

MAPLE

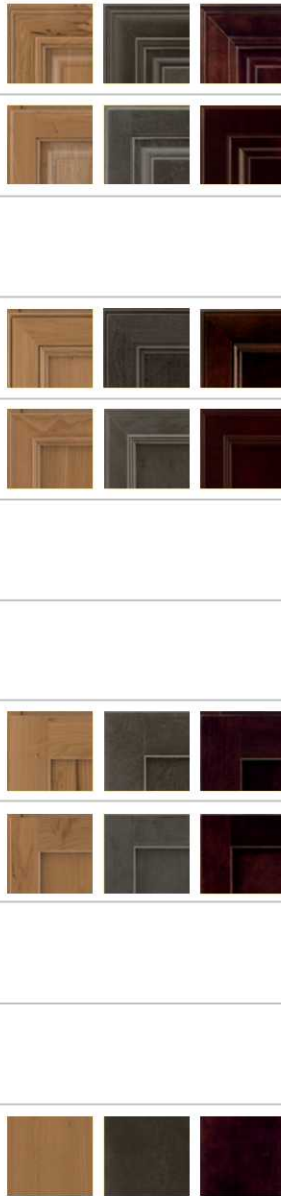
RYE SPICE COGNAC LATTE TRUFFLE SLATE

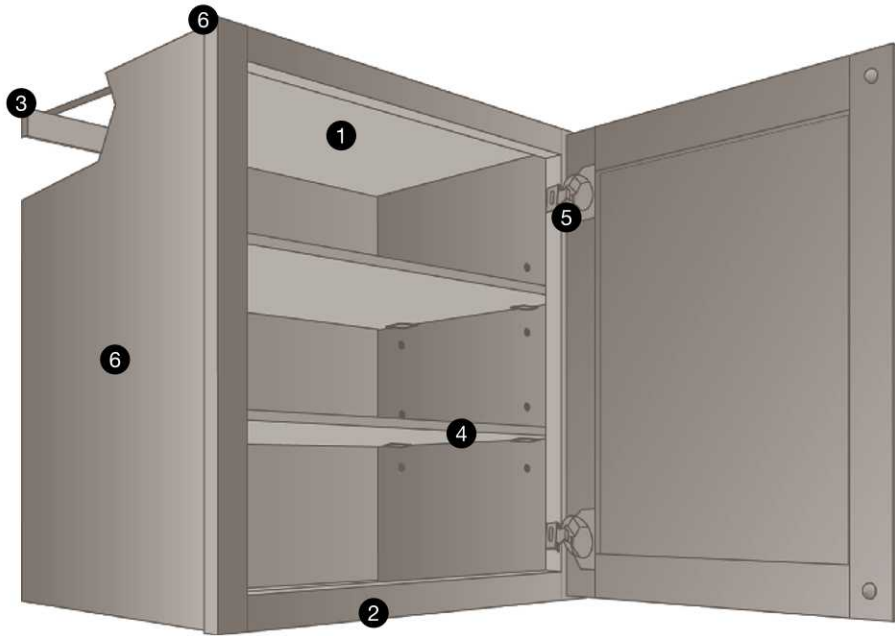
CHERRY

AMBER
NEW! SLATE JAVA

DURAFORM®

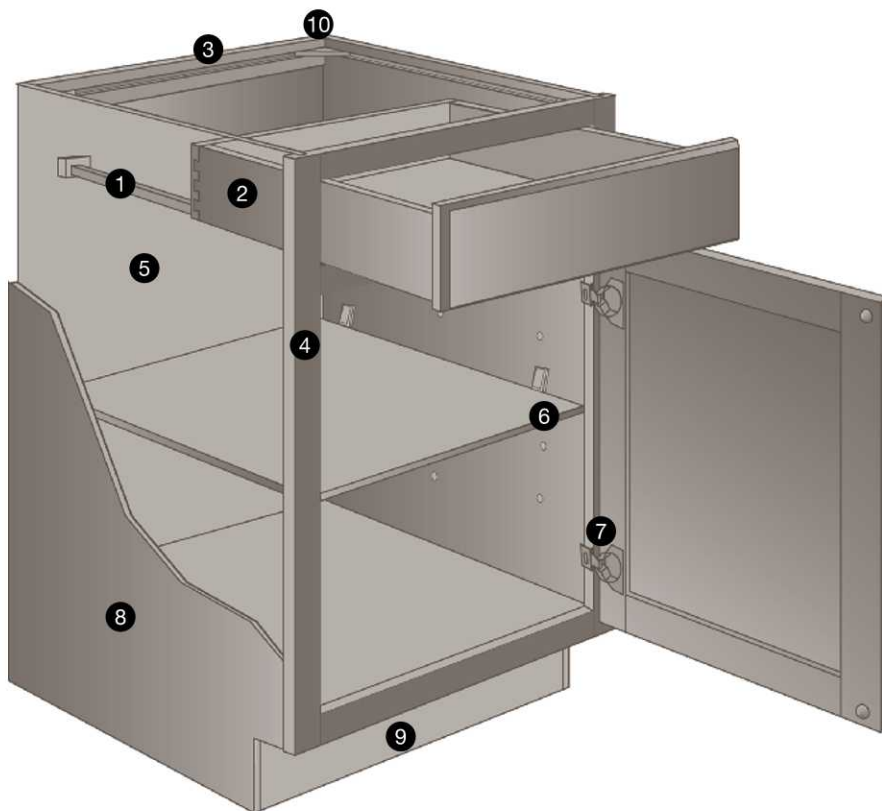
LINEN HARBOR STONE ESPRESSO BREEZE DRIFT





Wall Cabinets

- ❶ **Top/Bottom Panels:** 1/2" structural hanging rail. 1/2" plywood top and bottom options.
- ❷ **Face Frame:** 3/4" x 1 1/8" hardwood, solid, kiln-dried face frame.
- ❸ **Back Panel:** 1/8" hardboard substrate captured back.
- ❹ **Shelf:** 3/4" engineered wood shelving with edge banding, metal shelf rests and adjustable shelf holes. 3/4" thick plywood shelving with edge banding option.
- ❺ **Hinges:** Hidden Hinges® with CushionClose®. 6-way adjustable hinges.
- ❻ **End Panels:** 1/2" engineered wood sides with TuffTech® finish. 1/2" plywood sides end option. 3/4" plywood sides furniture end option.



Base Cabinets

- ❶ **Drawer Glides:** Full Access Hidden Glides® System with CushionClose®
- ❷ **Drawer Box:** Adjustable hardwood drawer front with 5/8" dovetail box and plywood bottom.
- ❸ **Top Panel:** 3/4" hardwood hanging rail. 1/2" plywood top and bottom options.
- ❹ **Face Frame:** 3/4" x 1 1/8" hardwood, solid, kiln-dried face frame.
- ❺ **Back Panel:** 1/8" hardboard substrate captured back.
- ❻ **Shelf:** 3/4" engineered wood shelving with edge banding, and base locking shelf rests. 3/4" thick plywood shelving with edge banding option.
- ❼ **Hinges:** Hidden Hinges® with CushionClose®. 6-way adjustable hinges.
- ❽ **End Panels:** 1/2" engineered wood sides with TuffTech® finish. 1/2" plywood sides end option. 3/4" plywood sides furniture end option.
- ❾ **Toe Kick:** 1/2" engineered wood inset toe kick. 1/2" plywood inset toe kick option.
- ❿ **Corner Block**

To support the growing number of homeowners remodeling for current and future needs, we've created an accessible height modification that reduces toe kicks to allow for ADA-compliant work surface heights. This alteration is ideal for pros working on projects with ADA requirements and customers looking to "age in place" by living longer in their homes.



Other new offerings include additional plumbing skirt cabinets, Adaptable Sink Base Kits, and drop-in drawer work surfaces.



Above: **New 34.5" Tall Plumbing Skirt**

BPS3034 UD

BPS3634 UD

New Adaptable Sink Base Kit

30" Wide

ASB3034 KIT (W3024 BUTT CFO)

ASB3032 KIT (W3021 BUTT CFO)

36" Wide

ASB3634 KIT (W3624 BUTT CFO)

ASB3632 KIT (W3621 BUTT CFO)

See specifications guide for more details.

Drawer Work Surface

DWS21

A professional look for *every room.*

American Woodmark's **PROFOLIO™** lineup offers cabinetry solutions for the whole home – kitchens, bathrooms, work spaces, utility rooms and more. Our collections offer the styles you want, with the functions you need, at a price you can afford.



Woodmark PRO Reading DFO Painted Vanilla and Painted Mist with Maple Latte



Woodmark PRO Garner™ with DFO Painted Navy



Woodmark PRO Shorebrook
Painted Black



Hampton Bay Designer Series Melvern Storm Gray & Soleste Spice



Hampton Bay Shaker Dove Gray



Hampton Bay Designer Series Soleste Spice



Get Pro support.

hpro@woodmark.com

woodmarkcabinetry.com/pros

Customer Care: 1-855-HDPRO44

resources.woodmarkcabinetry.com/pro

Program Features

HAMPTON BAY

HAMPTON BAY DESIGNER SERIES

American Woodmark PRO

Standard Construction			
Framed	●		●
Frameless		●	
1/2" Thick Engineered Wood Cabinet Sides	●		●
5/8" Side Panels		●	
Half Depth Adjustable Base Shelves	●		
Full Depth Adjustable Base Shelves		●	●
CushionClose®		●	●
Drawers & Glides			
Ball-bearing Hardwood Drawer Box	●		
Full Access Soft-Close & Dovetail Drawer Box		●	
Full Access Soft-Close & Dovetail Drawer Box with Plywood Bottoms			●
Hinges			
Fully Concealed & Adjustable	●		
Soft-Close Doors & Adjustable		●	●
Delivery			
Free to Jobsite (no minimum)			●
Free 1/2 and FTL to Jobsite	●	●	●
\$99 to Jobsite (.com)	●	●	
Discounts			
1/2 and Full Truckload Discounts	●	●	
10% off 10+ Cabinets	●	●	
Exclusive Pro Pricing			●
Volume Pricing available			●
Warranty			
Lifetime Limited - Finished Cabinetry	●	●	●
1 Year Limited - Unfinished Cabinetry	●		
Available Options & Modifications			
All Plywood Construction			●
Plywood Ends			●
Furniture Ends			●



ANSI/KCMA A161.1



KITCHEN CABINET MANUFACTURERS ASSOCIATION
ENVIRONMENTAL STEWARDSHIP PROGRAM (ESP)
ALL PRODUCTS IMPACT THE ENVIRONMENT
FOR ESP PROGRAM CRITERIA, VISIT KCMA.ORG



All American Woodmark products meet or exceed the stringent performance requirement established by the Kitchen Cabinet Manufacturing Association (KCMA). The KCMA Performance & Construction Standards ANSI/KCMA A161.1 is recognized & over-seen by the American National Standards Institute. This standard also meets the HUD specification 4910.1 Paragraph 611-1.1, Minimum Property Standards for Housing.

