

Wire and Transformer Relocation

Chief Judge: Paul Page, Lakeland Electric

Mean Time: **9 minutes**

Drop Dead Time: **12 minutes**

Event Summary:

Teams will relocate the primary, neutral, cutout door and transformer from one pole to the other pole. The wire is a 12kV de-energized radial fed line and must be tested, brushed, and grounded to be worked. The ground must be installed on the source side of the pole which is opposite of the transformer. Once relocated, the ground needs to be removed and transformer cutout closed back in. Approximate weight of transformer is 250 pounds. There will be no service cable connected to transformer only high side and system neutral connections.

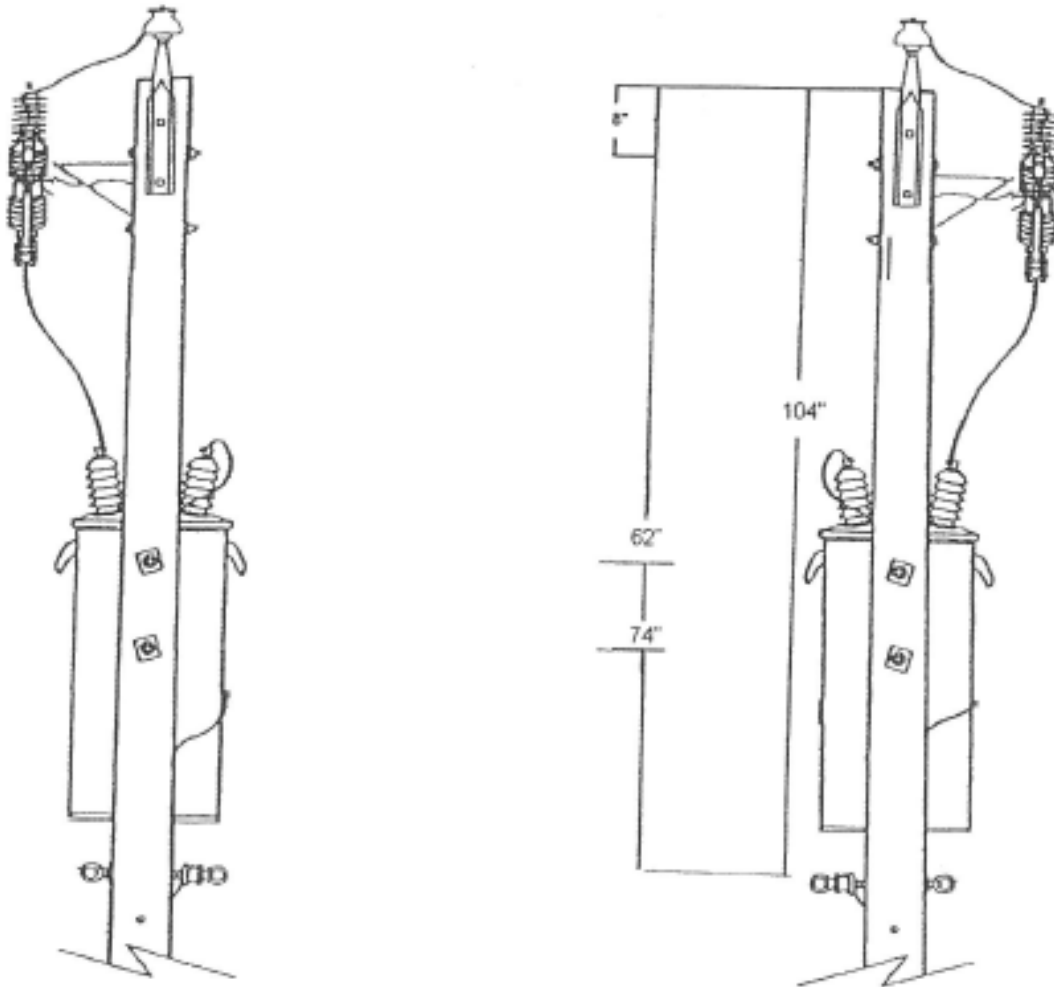
Event Specifics:

1. Teams will be allowed a 5 minute set-up time before the start of the event.
2. Both ends of the grounding jumper must be applied with sticks.
3. Leather gloves can be used if grounding procedure is done with at least 6' sticks.
4. If extendo sticks are used in grounding procedure, they cannot be left hanging/attached.
5. Cutout door must be opened and closed with an approved stick and not by hand.
6. Cutout door may be opened/closed prior to or after ground installed/removed.
7. A red painted hot stick tool may be used as a voltage detector.
8. All grounding points and permanent connections must be brushed-no simulations.
9. Time starts at judge's signal with fall arrest detached from the pole.
10. Primary and Neutral wire will be tied in using preformed ties, new ties and grommets will be provided must be replaced.
11. Transformer must come down off old pole and up on new pole using rated blocks, rigging, and transformer gin.
12. The Transformer wiring will need to be swapped from either H1 to H2 or H2 to H1 depending on which direction you're moving it to because of the position of the cutout and neutral.
13. The ground must be removed, and cutout closed before event is complete.
14. Time stops when all equipment is laying on the tarp and both climbers have their feet on the ground.

Teams will provide their own:

- Tarp, handline, personal tools etc.
- Blocks, slings, and rigging
- Rated sticks
- Conductor grounds
- Red painted tool for voltage detector

Wire and Transformer Relocation



Above is a view of how either station will be built. If the station is built as the left drawing or the right drawing, the other station will already be built as shown minus the cutout door and transformer. Poles will be set approximately 4 feet apart.