

Horizontal Hurtman Rescue

Chief Judge: Eddie Gluc, Kissimmee Utility Authority



Mean Time: **4 minutes**

Drop Dead Time: **5 minutes**

Event Summary:

This event will be simulated dead. Time starts at the judge's signal with apprentice standing at least an arms length from pole in any direction. **Note:** The lineman's belt, hooks and rubber gloves in bag will be lying on the ground at arm's length from the pole. (You may tool up bare handed).

Event Specifics:

1. Looking at the pole from the 8' cross arm side, the hand line will be hung on the right side simulating an injury to a right-handed person. The hurt man will hang on the cross arm side of the pole with both ends of the safety straps through the braces. The neutral will be on the opposite side of the pole of the hand line.
Note: The "OX Block" will be utilized with a minimum of two and a half wraps or three clicks on the fiction bar. The OX Block will be attached to the arm just outside of the cross arm brace.
2. Mannequin will be tied under arms with three half hitches.
Note: (splice cannot be used as part of the hitches). The half hitch is the only acceptable knot. A 4" conduit will be used to measure tightness of knot.
3. Apprentice must call out "headache" loudly when you drop out the split hand line.
4. A Buckingham rescue trainer safety will be used on the mannequin. You must cut the orange safety rope. There will be a 10-point deduction for cutting the belt in the wrong place.
5. Mannequin must be lowered smoothly to the ground without coming into contact with the pole and must be completely stopped within 5 feet of the ground then laid gently on the tarp. If the mannequin is not completely stopped there will be a 2 point deduction.
6. Time will stop when the mannequin is on the ground and there is slack in the hand line.
Note: There must be one gaff in the pole at all times when climbing down the pole and proper belt adjustment maintained as you will be judged until you leave the event.
7. The mean time for this event is 4 minutes. The drop dead time is 5 minutes.
8. The apprentice must use the hand-line provided.
9. Rubber gloves will be required for this event. Gloves must be worn ground to ground.
10. Deductions will be subtracted from 100, resulting in the final score.

Horizontal Hurtman Rescue

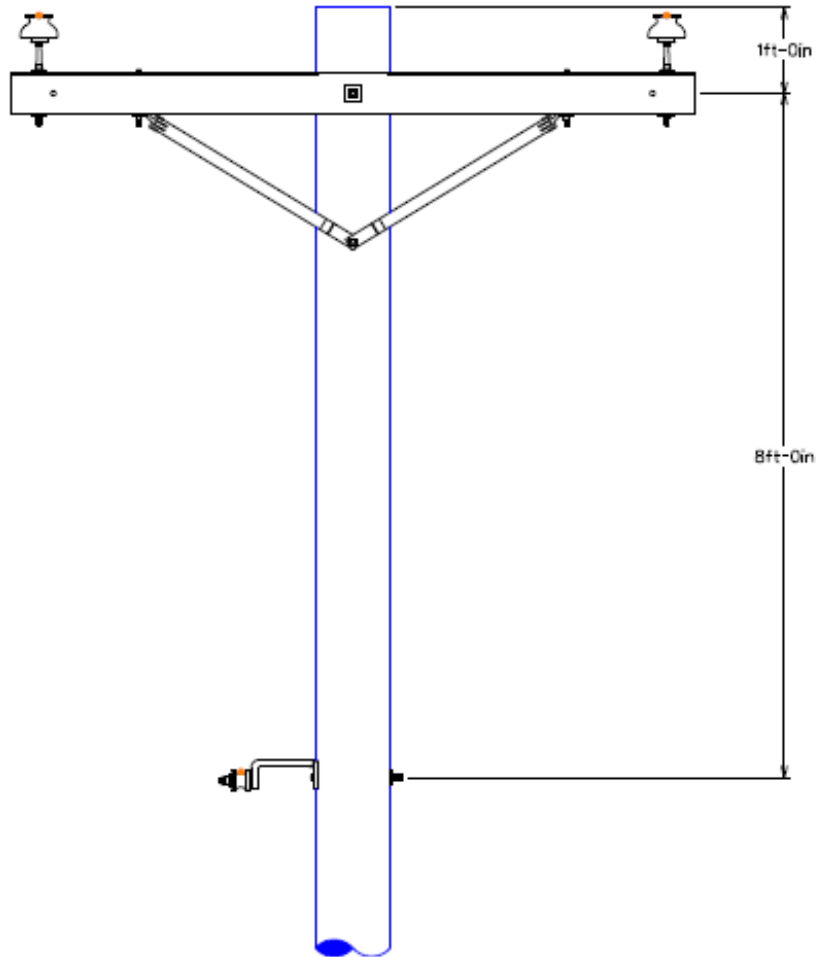
** Photos are only to show where mannequin will be hung. Construction will be as the diagram shows.*



Horizontal Hurtman Rescue

* Photos are only to show where mannequin will be hung. Construction will be as the diagram shows.

NONE	NON-STANDARD 8-FT CROSSARM WOOD BRACES, PIN INSULATORS	ASSEMBLY
------	---	----------



Drafted By: BRB	9/21/21	OVERHEAD DISTRIBUTION	
Revision By: Nic			
Approved By:		SECTION	
Manager of Engineering			

Horizontal Hurtman Rescue

* Photos are only to show where mannequin will be hung. Construction will be as the diagram shows.

